



Vertiv™ PowerBar
MPB and Tap-Off
Units Catalogue

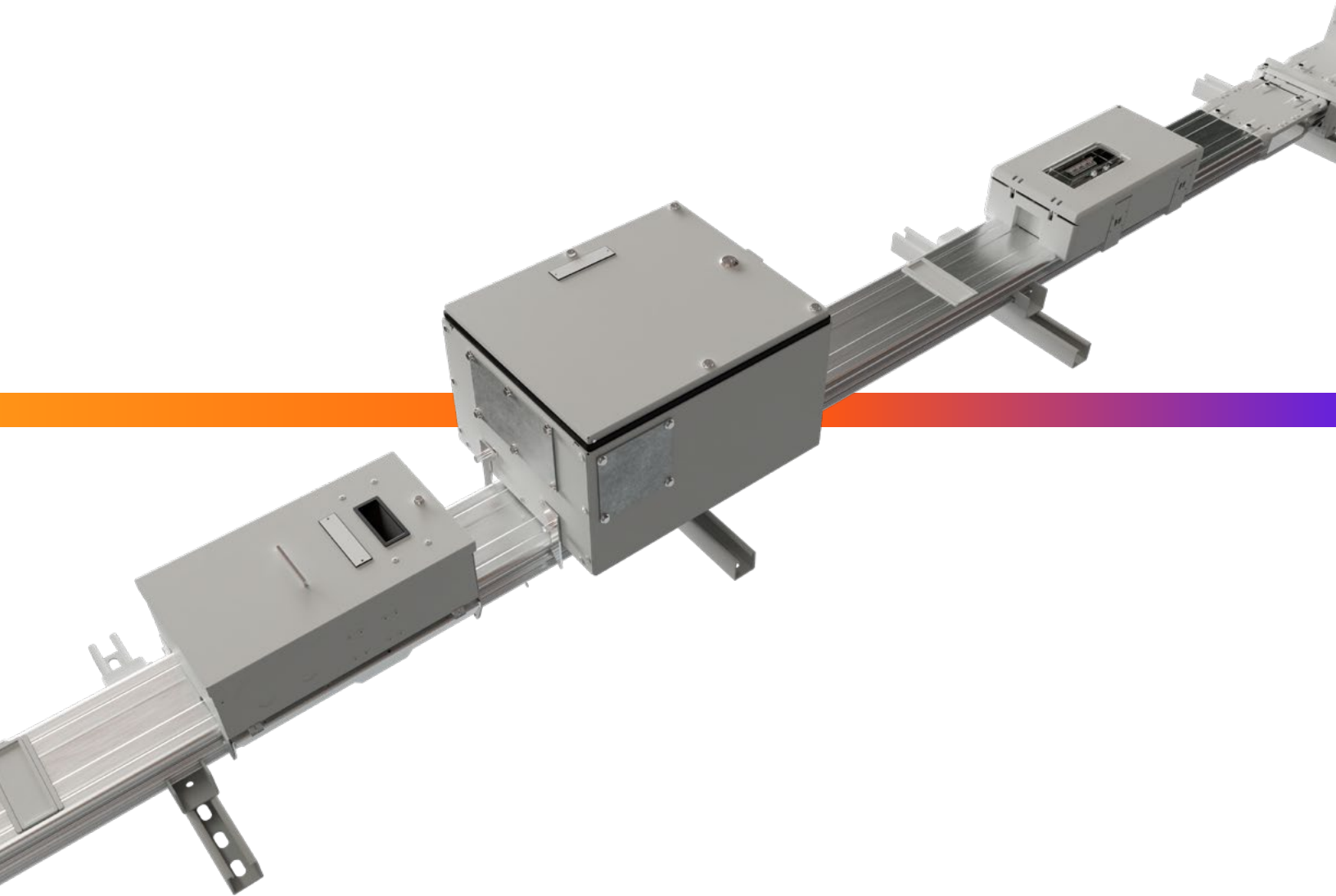


Table of Content

Vertiv™ PowerBar MPB	3
Technical Features	4
Elbows	5
Offsets	6
Combinations Elbows	7
Flanges	8
Sections and Joint Packs	9
Cable Feed Units	10
Technical Data	11
Tap-Off Units	13
Product Overview	14
Part Code Structure	15
Vertiv™ PowerBar MPB V Type Layout	16
Vertiv™ PowerBar MPB Range V Type	17
Vertiv™ PowerBar MPB Plastic Layout	33
Vertiv™ PowerBar MPB Range Plastic	34
Vertiv™ PowerBar MPB Euro Layout	43
Vertiv™ PowerBar MPB Range Euro	44
Meter and Spreader Positions	54
Hinge Options	55
Tap-Off Units and Busbar Trunkings	56
Technical Information	58



Vertiv™ PowerBar MPB

The Vertiv™ PowerBar MPB is a totally encased, nonventilated, air insulated busbar designed to deliver the power to medium size loads. The range is available with copper or aluminium conductors with ratings from 160A – 1000A.

Features

- Vertiv™ PowerBar MPB can be used either as a feeder or distribution application, or as a combination of both.
- Vertiv PowerBar MPB is a dual sided system with tap off box slots on both sides of the busbar system. This allows for greater flexibility in installations. Up to 10 tap off points can be fitted per a standard 3m length.
- The modular structure and integration of end feeds allows for further expansion of the system if necessary.
- Vertiv's PowerBar MPB has automated assembly lines providing complete quality control and reduce production time.
- Vertiv PowerBar MPB is a 3 phase 5 wire system.

Standards

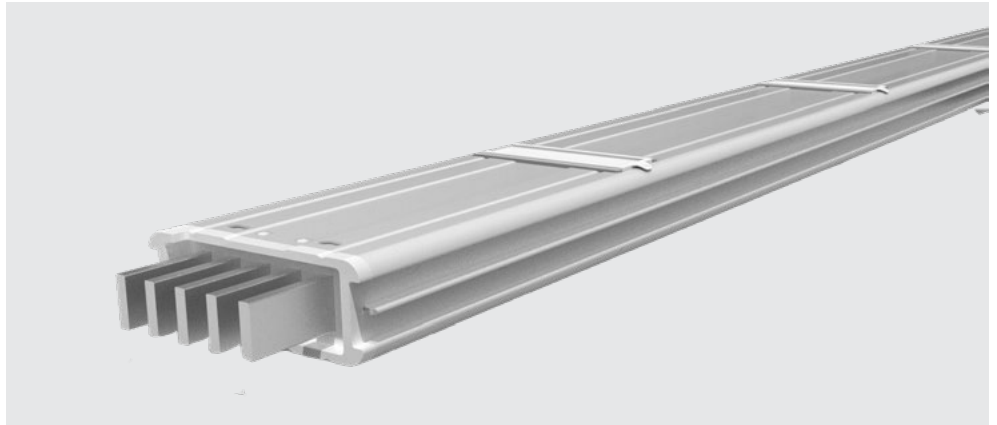
Vertiv PowerBar MPB range is fully tested in accordance with IEC 61439-1/6 and is CE approved. It is manufactured in a certified management system where Quality ISO 9001, Safety ISO 45001 and Environmental ISO 14001 standards are applied to all aspects of the manufacturing and installation processes.

All certificates available on request:



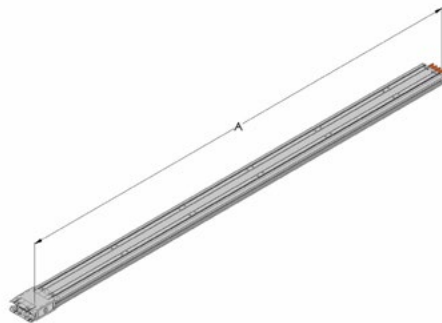
Technical Features

- Vertiv™ PowerBar MPB is constructed from either high density up to 99.7% conductivity copper, or high density 55% conductivity tinned aluminium.
- The conductors are air-insulated. The gap is maintained by mounting the conductors in a durable, high strength mount.
- Vertiv™ PowerBar MPB housing is constructed of a roll formed steel profile with a painted finish. The integrity and strength of the housing ensures that it is a safe and durable installation.
- Manufactured with a standard Ingress Protection rating of IP52. IP55 is available on request.
- Vertiv PowerBar MPB has a fully certified fire wall penetration barrier.

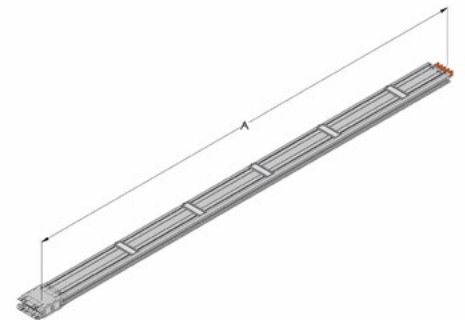


Straight Lengths

Feeder lengths and distribution lengths can be supplied at any length between a minimum of 875mm and a maximum of 3000mm.



Feeder Length



Distribution Length

Tap Off Units

The leading PE contact on a tap off unit provides the positive opening of a plug in slot.

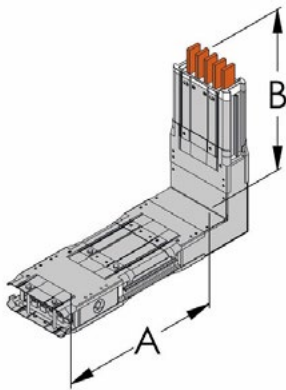
The tap off slot cover prevents access to the contacts behind the cover and protects it from the entry of dirt, dust or moisture. It provides a rating of IP52, IP55 is available on request.

With the cover removed, the tap off slot has a rating of IP3X.

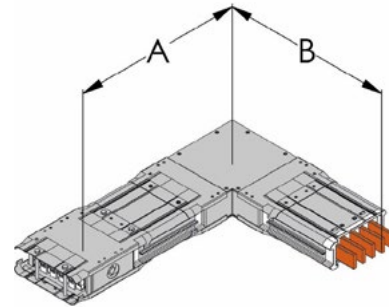
All Vertiv™ PowerBar MPB tap off units are designed with the safety of the installer and user as the key criteria. Tap off units are fitted with mechanical/ electrical interlocks and an 'earth first, break last' safety feature.

Elbows

Flatwise and edgewise elbows are used to make 90° changes in the direction of the busbar system. Vertiv™ PowerBar can also manufacture specially angled elbows for both flatwise and edgewise products.



Flatwise Elbows



Edgewise Elbows

Flatwise Elbow (Up or Down)

Rating (Amps)	Minimum Leg Size		Standard Leg Size		Maximum Leg Size	
	A	B	A	B	A	B
160A – 1000A	400mm	400mm	400mm	400mm	1000mm	1000mm

Edgewise Elbow (Left or Right)

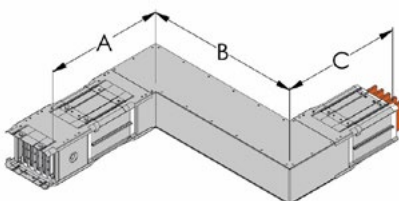
Rating (Amps)	Minimum Leg Size		Standard Leg Size		Maximum Leg Size	
	A	B	A	B	A	B
160A – 1000A	400mm	400mm	400mm	400mm	1000mm	1000mm

Offsets

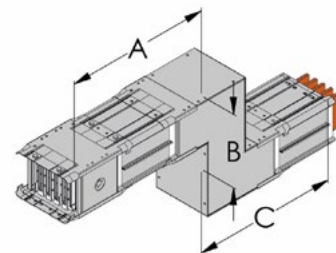
An offset section is used to conform to the structure of the building and to avoid any obstacles e.g. pipes or steel columns.

Combination Possibilities

- Flatwise offset up
- Flatwise offset down
- Edgewise offset left
- Edgewise offset right



Edgewise Offset



Flatwise Offset

Edgewise Offset (Left or Right)

Rating (Amps)	Minimum Leg Size			Standard Leg Size			Maximum Leg Size		
	A	B	C	A	B	C	A	B	C
160A – 1000A	400mm	100mm	400mm	400mm	400mm	400mm	1000mm	800mm	1000mm

Flatwise Offset (Up or Down)

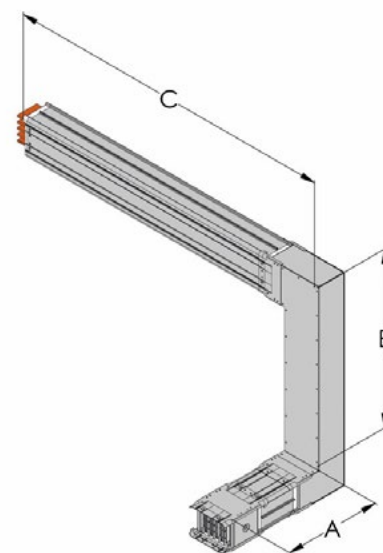
Rating (Amps)	Minimum Leg Size			Standard Leg Size			Maximum Leg Size		
	A	B	C	A	B	C	A	B	C
160A – 1000A	400mm	100mm	400mm	400mm	400mm	400mm	1000mm	800mm	1000mm

Combination Elbows

Combination elbows are used to conform to the building's structure and to change the direction of the busbar within a confined space.

Combination Possibilities

- Edgewise right and flatwise up
- Edgewise right and flatwise down
- Edgewise left and flatwise up
- Edgewise left and flatwise down



Combo Offset

Aluminium

Rating (Amps)	Minimum Leg Size			Standard Leg Size		
	A	B	C	A	B	C
160A - 400A	400mm	162mm	400mm	800mm	800mm	800mm
630A - 800A	400mm	191mm	400mm	800mm	800mm	800mm

Copper

Rating (Amps)	Minimum Leg Size			Standard Leg Size		
	A	B	C	A	B	C
160A - 630A	400mm	162mm	400mm	800mm	800mm	800mm
800A - 1000A	400mm	191mm	400mm	800mm	800mm	800mm

Flanges

Flange Connections

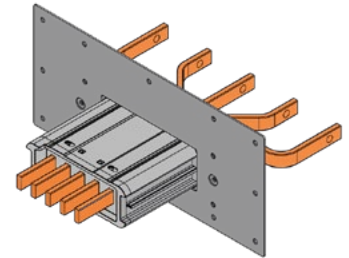
Flange connections provide a direct connection to low voltage switchgear, transformer enclosures and other electrical equipment. Standard flanges can be offset to the left or right of the section as required.

Combination Flanges

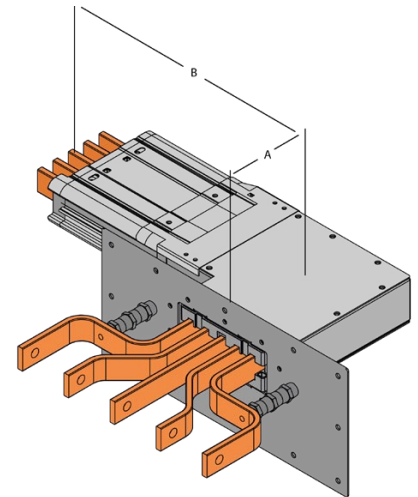
A flange combination elbow is used when the minimum leg lengths for either the standard elbow or the standard flange cannot be met. A typical example would be when there is reduced height above the switchgear.

Combination Possibilities

- Panel flange and edgewise left
- Panel flange and edgewise right
- Panel flange and flatwise up
- Panel flange and flatwise down



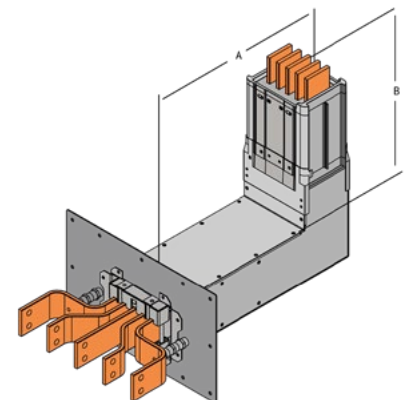
Panel Flange



Edgewise Flange

Flatwise and Edgewise Elbow Flange

Rating (Amps)	Minimum Leg Size		Standard Leg Size		Maximum Leg Size	
	A	B	A	B	A	B
160A – 1000A	140mm	400mm	400mm	400mm	591mm	800mm



Flatwise Flange

Sections

Vertiv manufactures a variety of more specialised units and components to meet unique system requirements. These include: edgewise and flatwise tee's, flatwise cross, step up/step down reducers, phase rotation units, in-line disconnect cubicles, in-line tap off units, custom built busbar connection units.

Flatwise Tee

Flatwise are used to split one busbar run into two runs going in different directions. This reduces the amount of space needed when supplying two different parts of a building with power.

Expansion Units

Expansion units are used to accommodate the expansion and contraction of a busbar system as well as allow for building movement. They allow for a movement along the length of the busbar. They are installed in the centre of long busbar runs, or at the beginning of riser runs to minimise the stress on the lower section of the busbar run.

Joint Packs

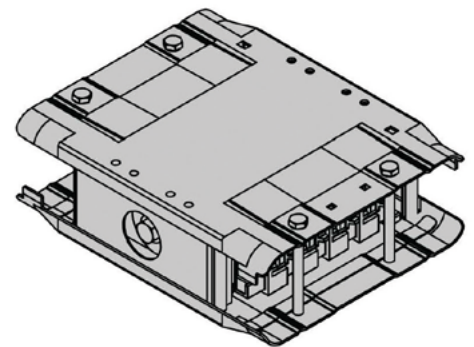
Joint packs are used to connect all the components in a busbar system together.

Vertiv™ PowerBar MPB's joint pack is a compression joint design which uses a specially designed Belleville washer to distribute the pressure evenly over the joint.

A joint pack is fitted on one end of each busway section to save time during installation.

The earth is maintained along the joint by both the the joint pack cover and PE busbar.

The joint pack is supplied in either a small or large size depending on the rating of busbar required.



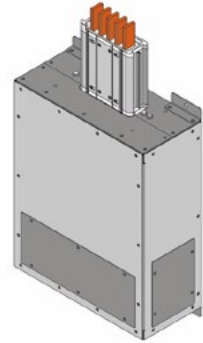
Cable Feed Units

Cable Feed Units

End feed units are used on the ends of busbar risers which are cable fed. They can be on the top or the bottom of the busbar. Centre feed units are used in the middle of busbar risers which are cable fed.

The size of the end feed required depends on a number of factors:

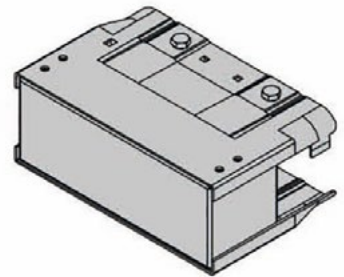
- Rating of the busbar
- Size of the cable
- Number of cables
- Use of a protective device or isolator



End Feet Unit

End Caps

End caps are used to safely cap off the end of a busbar run. The end cap units are factory fitted but can be easily removed to allow for the extension of the system.



End Cap

Technical Data

Aluminium Technical Data

Rated Current (A)	160	250	400	630	800
Rated Operational Voltage (V)	690	690	690	690	690
Rated Insulation Voltage (V)	1000	1000	1000	1000	1000
Short Circuit					
1 Second (kA)	18	18	22	26	35
Peak Value (kA)	36	36	46.2	54.6	73.5
Phase Conductor					
Cross Sectional Area (mm ²)	160	160	256	480	720
100% Earth CSA (mm ²)	160	160	256	480	720
Overall Dimensions					
Height x Width (mm)	61 x 165	61 x 165	61 x 165	119 x 165	119 x 165
Weight					
Weight of 5 bar system (kg/m)	3.2	3.2	4.4	7.8	11
Resistance					
Resistance (mΩ/m) at 20°C	0.166	0.166	0.104	0.055	0.037
Resistance (mΩ/m) at 80°C	0.206	0.206	0.129	0.069	0.046
Reactance					
Reactance (mΩ/m) at 50Hz	0.116	0.116	0.098	0.071	0.057
Impedance					
Impedance (mΩ/m) at 80°C	0.236	0.236	0.162	0.099	0.073
Voltage drop at full load 50Hz					
Power factor 0.7 (V/m) at 80°C	0.063	0.098	0.111	0.108	0.101
Power factor 0.8 (V/m) at 80°C	0.065	0.101	0.112	0.106	0.098
Power factor 0.9 (V/m) at 80°C	0.065	0.102	0.110	0.101	0.091
Power factor 1.0 (V/m) at 80°C	0.057	0.089	0.089	0.075	0.063

Vertiv™ PowerBar MPB and Tap-Off Units Catalogue

Copper Technical Data

Rated Current (A)	250	400	630	800	1000
Rated Operational Voltage (V)	690	690	690	690	690
Rated Insulation Voltage (V)	1000	1000	1000	1000	1000
Short Circuit					
1 Second (kA)	22	22	26	26	35
Peak Value (kA)	36	36	54.6	54.6	73.5
Phase Conductor					
Cross Sectional Area (mm ²)	160	160	480	480	720
100% Earth CSA (mm ²)	160	160	480	480	720
Overall Dimensions					
Height x Width (mm)	61 x 165	61 x 165	61 x 165	119 x 165	119 x 165
Weight					
Weight of 5 bar system (kg/m)	8	8	12	22.5	22.5
Resistance					
Resistance (mΩ/m) at 20°C	0.166	0.166	0.104	0.055	0.055
Resistance (mΩ/m) at 80°C	0.206	0.206	0.129	0.069	0.069
Reactance					
Reactance (mΩ/m) at 50Hz	0.122	0.074	0.064	0.055	0.055
Impedance					
Impedance (mΩ/m) at 80°C	0.179	0.110	0.077	0.062	0.062
Voltage drop at full load 50Hz					
Power factor 0.7 (V/m) at 80°C	0.124	0.120	0.105	0.103	0.103
Power factor 0.8 (V/m) at 80°C	0.123	0.120	0.101	0.097	0.097
Power factor 0.9 (V/m) at 80°C	0.118	0.115	0.093	0.087	0.087
Power factor 1.0 (V/m) at 80°C	0.090	0.089	0.060	0.050	0.050



Vertiv™ PowerBar MPB Tap-Off Units

Standards

The Vertiv™ PowerBar MPB range is fully ASTA Tested Certified. It is manufactured in a certified management system environment where Quality ISO 9001, Safety ISO 45001 and Environmental ISO 14001 standards are applied to all aspects of the manufacturing and installation processes.

It is manufactured in accordance with IEC61439-1 and IEC61439-6.

ASTA Certificates

Vertiv PowerBar completed extensive testing at ASTA and KEMA accredited laboratories to ensure the product we supply meets the international requirements.

Type Tests

- 10.2** Strength of materials and parts
- 10.3** Degree of Protection of Enclosures
- 10.4** Clearances and Creepage Distances
- 10.5** Protection against electric shock and integrity of protective circuits
- 10.9** Dielectric properties
- 10.10** Temperature Rise Limits
- 10.11** Short Circuit Withstand Strength

All certificates available on request:



ISO 9001:2015
FM 12680



ISO 14001:2015
No: EMS 566536



Product Overview

Vertiv™ PowerBar offers a range of tap off units to fit our Vertiv™ PowerBar MPB range for multiple applications. There are over 100 units in our standard range. Vertiv PowerBar can also manufacture tap off units to suit any power distribution, metering or control requirements.

Safety

All Vertiv PowerBar MPB tap off units are designed with the safety of the installer and user as the key criteria. The tap off unit has an extended earth contact bracket which means the earth ground is always the first point to connect with the busbar system during installation.

The tap off units have an interlock which prevents the tap off door from being opened while the tap off unit is in the ON position. The tap off unit is secured to the busbar housing using high tensile strength, lockable hardware, with an extended shutter actuator and mechanical clamping mechanism. This ensures the units are properly sealed during the installation and cannot be fitted incorrectly.

Cable Entry

The standard tap off unit usually has bottom and side removable gland plates for cable access, but other variations are available as necessary, including cable spreader boxes.

	V-Type Tap Off Sizes	Max Cable Size (mm²) Base Entry	Max Cable Size (mm²) Side Entry	Max Cable Size (mm²) Side Entry with Spreader Box
MCCB and Switchfuses	Frame size 1: 125A	150	50	95
	Frame size 2: 160A	185	70	185
	Frame size 3: 250A	240	120	240
MCCB	Frame size 4: 400A	300	150	240
	Frame size 5: 630A	2x240	2x185	2x240
MCCB and Fuses	Euro T1: 125A	70	25	-
	Euro T2: 63A	35	25	-
	Plastic: 100A	50	25	-

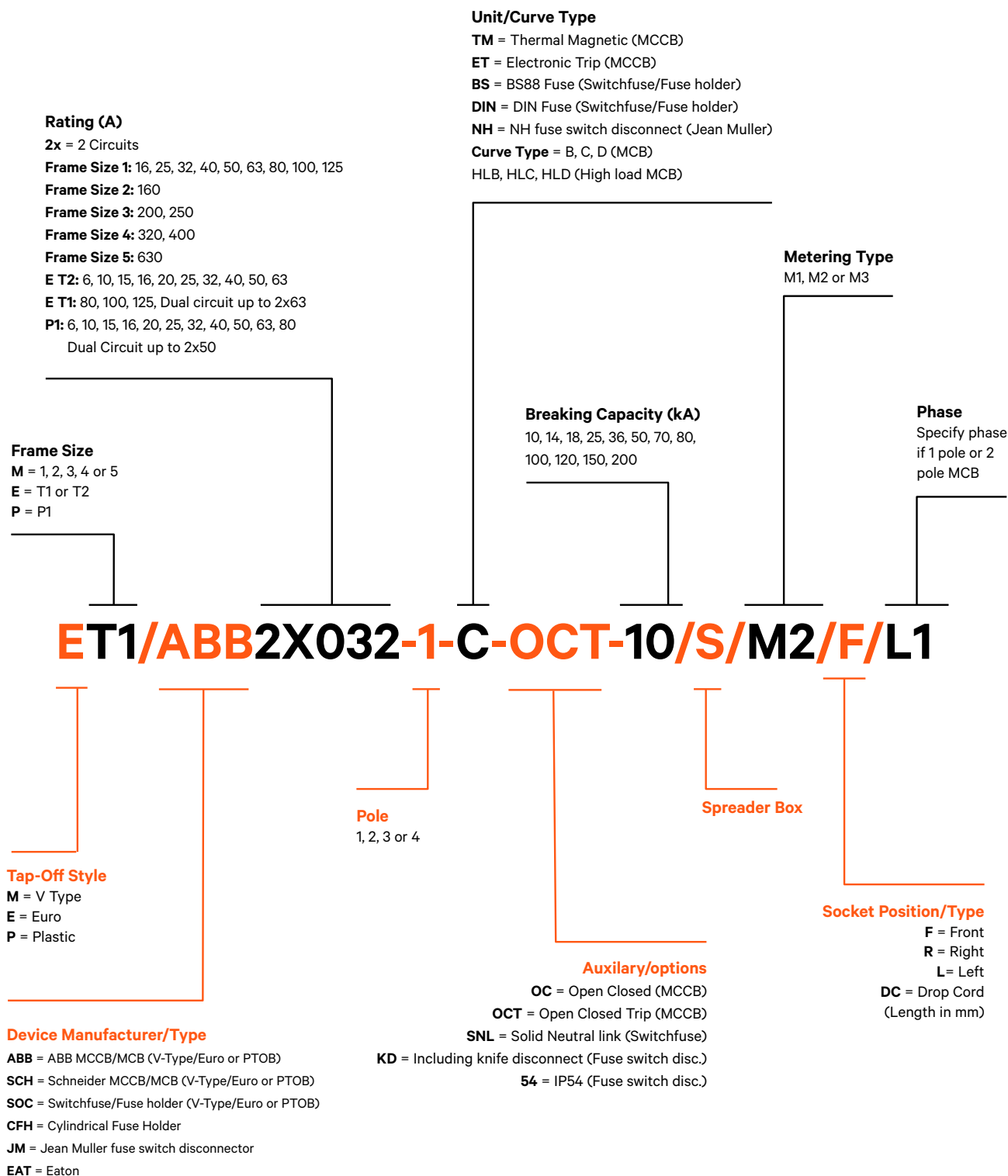
Options

Vertiv PowerBar can also manufacture special tap off units based on your specific needs and requirements. These features include:

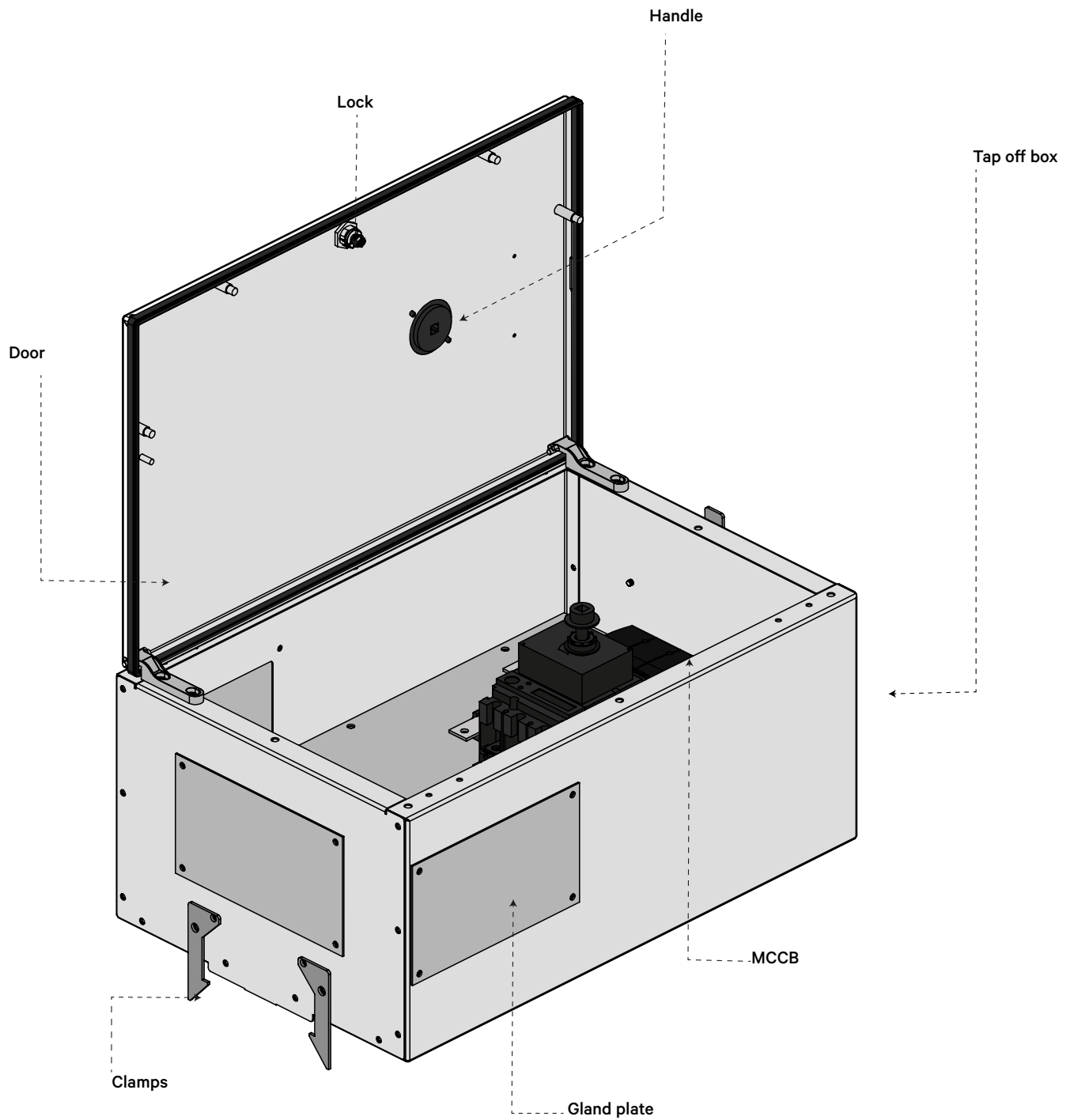
- Metering options for landlord electrical tariff purposes
- BMS monitoring of breaker status
- BMS monitoring of metering systems
- Automatic remote open/close features
- Load shedding features
- Integral sockets
- Integral distribution boards

Part Code Structure

Part Code Example: MPB Euro T1 / ABB 2x32- 1 Pole- C curve - Open Closed Trip - 10kA / Spreader box / Metering Type 2 / Socket Position Front / Phase L1



Vertiv™ PowerBar MPB V Type Layout



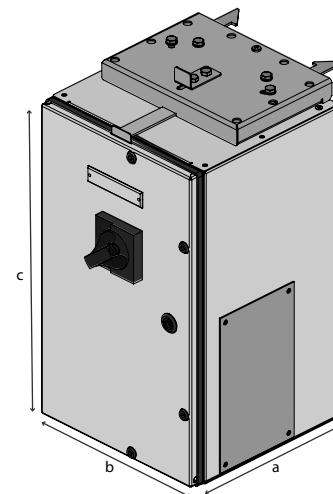
Vertiv™ PowerBar MPB Range V Type

Vertiv™ PowerBar MPB3-TOB-125A

- In steel enclosure
- Outgoing device - MCCB

Tap-off with MCCB 125A max

Current (A)	Voltage (V)	Tap Off slots	Approx Weight (Kg)	Dimensions (mm)		
				a	b	c
125	690	1	17	276	290	485



M1/ABB16-3-TM-OCT-50/S

Frame Size	Device Manufacturer	Rating (A)	Poles	Unit Type	Auxiliary	Breaking Capacity (kA)	Spreader Box	Part Number
1	ABB	16	3	TM	OCT	50	S	M1/ABB'16-3 ² -TM ³ -OCT ⁴ -50 ⁵ /S ⁶
		25						M1/ABB'25-3 ² -TM ³ -OCT ⁴ -50 ⁵ /S ⁶
		32						M1/ABB'32-3 ² -TM ³ -OCT ⁴ -50 ⁵ /S ⁶
		40						M1/ABB'40-3 ² -TM ³ -OCT ⁴ -50 ⁵ /S ⁶
		50						M1/ABB'50-3 ² -TM ³ -OCT ⁴ -50 ⁵ /S ⁶
		63						M1/ABB'63-3 ² -TM ³ -OCT ⁴ -50 ⁵ /S ⁶
		80						M1/ABB'80-3 ² -TM ³ -OCT ⁴ -50 ⁵ /S ⁶
		100						M1/ABB'100-3 ² -TM ³ -OCT ⁴ -50 ⁵ /S ⁶
		125						M1/ABB'125-3 ² -TM ³ -OCT ⁴ -50 ⁵ /S ⁶

¹Device manufacturer. Please specify ABB or SCH

²Poles. Please specify 2, 3 or 4 pole

³Unit type. Please specify TM or ET

⁴Auxiliary. Specify OC or OCT if required.

⁵Please specify breaking capacity (kA rms)

⁶If cable spreader is required (*See note below for when cable spreader box is needed)

Max Cable size bottom entry: 150mm²

Max Cable size side entry: 95mm²*

*Cable spreader box is required when using cable sizes over 50mm²

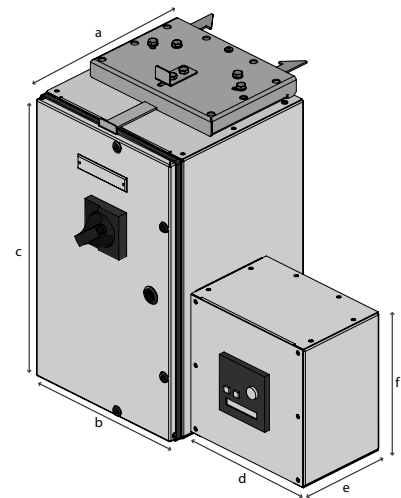
Vertiv™ PowerBar MPB Range V Type

Vertiv™ PowerBar MPB3-TOB-M-125A

- In steel enclosure
- Outgoing device - MCCB

Tap-off with MCCB 125A max + metering

Current (A)	Voltage (V)	Tap Off slots	Approx Weight (Kg)	Dimensions (mm)					
				a	b	c	d	e	f
125	690	1	21	276	290	485	240	161	240



M1/ABB16-3-TM-OCT-50/S/M1

Frame Size	Device Manufacturer	Rating (A)	Poles	Unit Type	Auxiliary	Breaking Capacity (kA)	Spreader Box	Metering Type	Part Number
1	ABB	16	3	TM	OCT	50	S	M1	M1/ABB16-3 ² -TM ³ -OCT ⁴ -50 ⁵ /S ⁶ /M1 ⁷
		25							M1/ABB25-3 ² -TM ³ -OCT ⁴ -50 ⁵ /S ⁶ /M1 ⁷
		32							M1/ABB32-3 ² -TM ³ -OCT ⁴ -50 ⁵ /S ⁶ /M1 ⁷
		40							M1/ABB40-3 ² -TM ³ -OCT ⁴ -50 ⁵ /S ⁶ /M1 ⁷
		50							M1/ABB50-3 ² -TM ³ -OCT ⁴ -50 ⁵ /S ⁶ /M1 ⁷
		63							M1/ABB63-3 ² -TM ³ -OCT ⁴ -50 ⁵ /S ⁶ /M1 ⁷
		80							M1/ABB80-3 ² -TM ³ -OCT ⁴ -50 ⁵ /S ⁶ /M1 ⁷
		100							M1/ABB100-3 ² -TM ³ -OCT ⁴ -50 ⁵ /S ⁶ /M1 ⁷
		125							M1/ABB125-3 ² -TM ³ -OCT ⁴ -50 ⁵ /S ⁶ /M1 ⁷

¹Device manufacturer. Please specify ABB or SCH

²Poles. Please specify 2, 3 or 4 pole

³Unit type. Please specify TM or ET

⁴Auxiliary. Specify OC or OCT if required.

⁵Please specify breaking capacity (kA rms).

⁶If cable spreader is required (*See note below for when cable spreader box is needed)

⁷Meter type to be specified by client.

Max Cable size bottom entry: 150mm²

Max Cable size side entry: 95mm²*

*Cable spreader box is required when using cable sizes over 50mm²

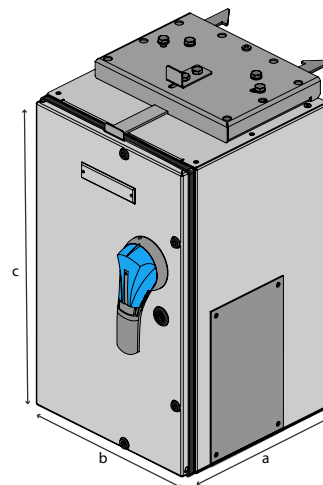
Vertiv™ PowerBar MPB Range V Type

Vertiv™ PowerBar MPB3-TOB-SOC 125A

- In steel enclosure
- Outgoing device - Switchfuse

Tap-off with switchfuse 125A max

Current (A)	Voltage (V)	Tap Off slots	Approx Weight (Kg)	Dimensions (mm)		
				a	b	c
125	500	1	175	276	290	485



M1/SOC32-3-BS-SNL-80/S

Frame Size	Device Manufacturer	Rating (A)	Poles	Unit Type	Auxiliary	Breaking Capacity (kA)	Spreader Box	Part Number
1	Socomec	32	3	BS	SNL	80	S	M1/SOC ¹ 32-3 ² -BS ³ -SNL ⁴ -80 ⁵ /S ⁶
		63						M1/SOC ¹ 63-3 ² -BS ³ -SNL ⁴ -80 ⁵ /S ⁶
		100						M1/SOC ¹ 100-3 ² -BS ³ -SNL ⁴ -80 ⁵ /S ⁶

¹Device manufacturer Socomec.

²Poles. Please specify 2, 3 or 4 pole

³Unit type. Please specify BS or DIN

⁴Options. Specify SNL if required.

⁵Breaking Capacity (80kA rms)

⁶If cable spreader is required (*See note below for when cable spreader box is needed)

Max Cable size bottom entry: 150mm²

Max Cable size side entry: 95mm²*

*Cable spreader box is required when using cable sizes over 50mm²

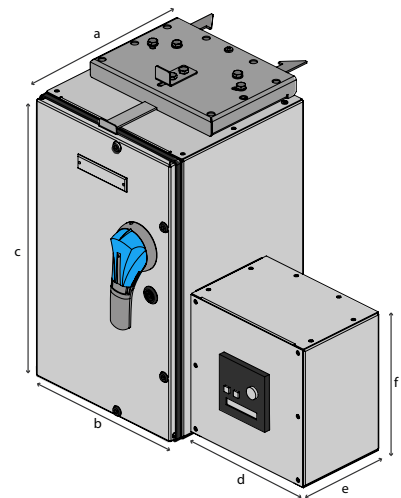
Vertiv™ PowerBar MPB Range V Type

Vertiv™ PowerBar MPB3-TOB-SOC-M 125A

- In steel enclosure
- Outgoing device - Switchfuse

Tap-off with switchfuse 125A max + metering

Current (A)	Voltage (V)	Tap Off slots	Approx Weight (Kg)	Dimensions (mm)					
				a	b	c	d	e	f
125	500	1	21	276	290	485	240	161	240



M1/SOC32-3-BS-SNL-80/S/M1

Frame Size	Device Manufacturer	Rating (A)	Poles	Unit Type	Auxiliary	Breaking Capacity (kA)	Spreader Box	Metering Type	Part Number
1	Socomec	32	3	BS	SNL	80	S	M1	M1/SOC'32-3 ² -BS ³ -SNL ⁴ -80 ⁵ /S ⁶ /M1 ⁷
		63							M1/SOC'63-3 ² -BS ³ -SNL ⁴ -80 ⁵ /S ⁶ /M1 ⁷
		100							M1/SOC'100-3 ² -BS ³ -SNL ⁴ -80 ⁵ /S ⁶ /M1 ⁷

¹Device manufacturer Socomec.

²Poles. Please specify 2, 3 or 4 pole

³Unit type. Please specify BS or DIN

⁴Options. Specify SNL if required.

⁵Breaking Capacity (80kA rms)

⁶If cable spreader is required (*See note below for when cable spreader box is needed)

⁷Meter type to be specified by client.

Max Cable size bottom entry: 150mm²

Max Cable size side entry: 95mm²*

*Cable spreader box is required when using cable sizes over 50mm²

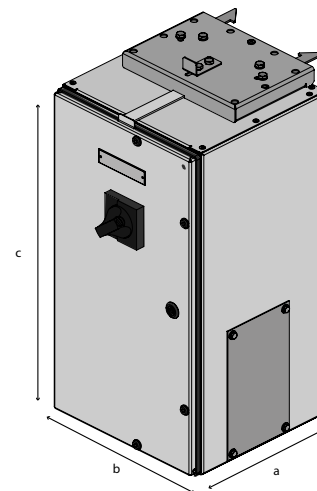
Vertiv™ PowerBar MPB Range V Type

Vertiv™ PowerBar MPB3-TOB-160A

- In steel enclosure
- Outgoing device - MCCB

Tap-off with MCCB 160A max

Current (A)	Voltage (V)	Tap Off slots	Approx Weight (Kg)	Dimensions (mm)		
				a	b	c
160	690	1	21.5	276	320	600



M2/ABB160-3-TM-OCT-50/S

Frame Size	Device Manufacturer	Rating (A)	Poles	Unit Type	Auxiliary	Breaking Capacity (kA)	Spreader Box	Part Number
2	ABB	160	3	TM	OCT	50	S	M2/ABB160-3 ² -TM ³ -OCT ⁴ -50 ⁵ /S ⁶

¹Device manufacturer. Please specify ABB or SCH

²Poles. Please specify 2, 3 or 4 pole

³Unit type. Please specify TM or ET

⁴Auxiliary. Specify OC or OCT if required.

⁵Please specify breaking capacity (kA rms)

⁶If cable spreader is required (*See note below for when cable spreader box is needed)

Max Cable size bottom entry: 185mm²

Max Cable size side entry: 185mm²*

*Cable spreader box is required when using cable sizes over 70mm²

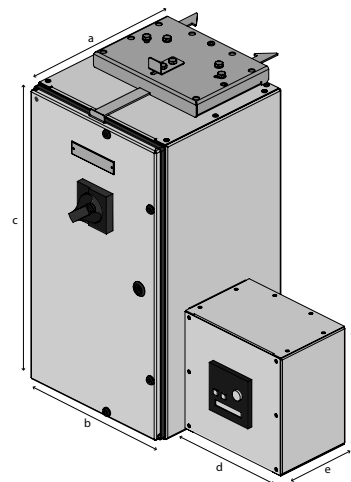
Vertiv™ PowerBar MPB Range V Type

Vertiv™ PowerBar MPB3-TOB-M-160A

- In steel enclosure
- Outgoing device - MCCB

Tap-off with MCCB 160A + metering

Current (A)	Voltage (V)	Tap Off slots	Approx Weight (Kg)	Dimensions (mm)					
				a	b	c	d	e	f
160	690	1	25.5	276	320	600	240	161	240



M2/ABB160-3-TM-OCT-50/S/M1

Frame Size	Device Manufacturer	Rating (A)	Poles	Unit Type	Auxiliary	Breaking Capacity (kA)	Spreader Box	Metering Type	Part Number
2	ABB	160	3	TM	OCT	50	S	M1	M2/ABB160-3 ² -TM ³ -OCT ⁴ -50 ⁵ /S ⁶ /M1 ⁷

¹Device manufacturer. Please specify ABB or SCH

²Poles. Please specify 2, 3 or 4 pole

³Unit type. Please specify TM or ET

⁴Auxiliary. Specify OC or OCT if required.

⁵Please specify breaking capacity (kA rms)

⁶If cable spreader is required (*See note below for when cable spreader box is needed)

⁷Meter type to be specified by client

Max Cable size bottom entry: 185mm²

Max Cable size side entry: 185mm²*

*Cable spreader box is required when using cable sizes over 70mm²

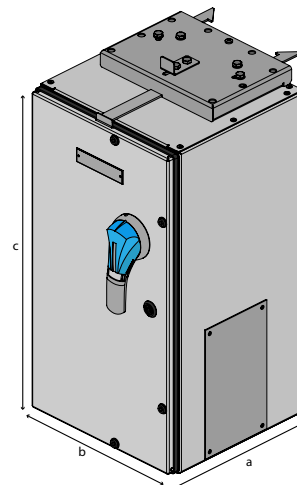
Vertiv™ PowerBar MPB Range V Type

Vertiv™ PowerBar MPB3-TOB-SOC-160A

- In steel enclosure
- Outgoing device - Switchfuse

Tap-off with switchfuse 160A max

Current (A)	Voltage (V)	Tap Off slots	Approx Weight (Kg)	Dimensions (mm)		
				a	b	c
160	500	1	22	276	320	600



M2/SOC160-3-BS-SNL-80/S

Frame Size	Device Manufacturer	Rating (A)	Poles	Unit Type	Auxiliary	Breaking Capacity (kA)	Spreader Box	Part Number
2	Socomec	160	3	BS	SNL	80	S	M2/SOC160-3 ² -BS ³ -SNL ⁴ -80 ⁵ /S ⁶

¹Device manufacturer Socomec.

²Poles. Please specify 2, 3 or 4 pole

³Unit type. Please specify BS or DIN

⁴Options. Specify SNL if required.

⁵Breaking Capacity (80kA rms)

⁶If cable spreader is required (*See note below for when cable spreader box is needed)

Max Cable size bottom entry: 185mm²

Max Cable size side entry: 185mm²*

*Cable spreader box is required when using cable sizes over 70mm²

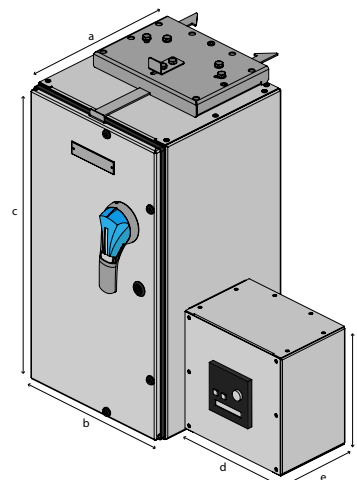
Vertiv™ PowerBar MPB Range V Type

Vertiv™ PowerBar MPB3-TOB-SOC-M-160A

- In steel enclosure
- Outgoing device - Switchfuse

Tap-off with switchfuse 160A + metering

Current (A)	Voltage (V)	Tap Off slots	Approx Weight (Kg)	Dimensions (mm)					
				a	b	c	d	e	f
160	500	1	26	276	320	600	240	161	240



M2/SOC160-3-BS-SNL-80/S/M1

Frame Size	Device Manufacturer	Rating (A)	Poles	Unit Type	Auxiliary	Breaking Capacity (kA)	Spreader Box	Metering Type	Part Number
2	Socomec	160	3	TM	OCT	80	S	M1	M2/SOC ¹ 160-3 ² -BS ³ -SNL ⁴ -80 ⁵ /S ⁶ /M1 ⁷

¹Device manufacturer Socomec.

²Poles. Please specify 2, 3 or 4 pole

³Unit type. Please specify BS or DIN

⁴Options. Specify SNL if required.

⁵Breaking Capacity (80kA rms)

⁶If cable spreader is required (*See note below for when cable spreader box is needed)

⁷Meter type to be specified by client.

Max Cable size bottom entry: 185mm²

Max Cable size side entry: 185mm²*

*Cable spreader box is required when using cable sizes over 70mm²

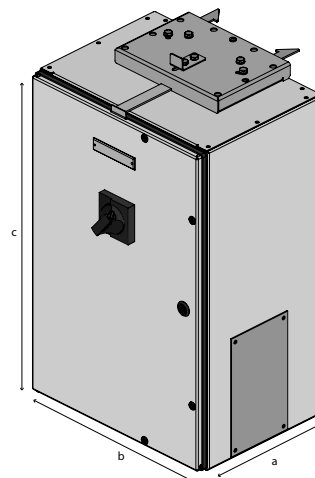
Vertiv™ PowerBar MPB Range V Type

Vertiv™ PowerBar MPB3-TOB-250A

- In steel enclosure
- Outgoing device - MCCB

Tap-off with MCCB 250A max

Current (A)	Voltage (V)	Tap Off slots	Approx Weight (Kg)	Dimensions (mm)		
				a	b	c
250	690	1	25.5	306	420	650



M3/ABB200-3-TM-OCT-50/S

Frame Size	Device Manufacturer	Rating (A)	Poles	Unit Type	Auxiliary	Breaking Capacity (kA)	Spreader Box	Part Number
3	ABB	200	3	TM	OCT	50	S	M3/ABB'200-3 ² -TM ³ -OCT ⁴ -50 ⁵ /S ⁶
		250						M3/ABB'250-3 ² -TM ³ -OCT ⁴ -50 ⁵ /S ⁶

¹Device manufacturer. Please specify ABB or SCH

²Poles. Please specify 2, 3 or 4 pole

³Unit type. Please specify TM or ET

⁴Auxiliary. Specify OC or OCT if required.

⁵Please specify breaking capacity (kA rms)

⁶If cable spreader is required (*See note below for when cable spreader box is needed)

Max Cable size bottom entry: 240mm²

Max Cable size side entry: 240mm²*

*Cable spreader box is required when using cable sizes over 120mm²

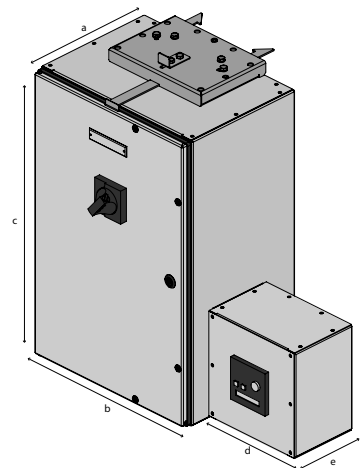
Vertiv™ PowerBar MPB Range V Type

Vertiv™ PowerBar MPB3-TOB-M-250A

- In steel enclosure
- Outgoing device - MCCB

Tap-off with MCCB 250A + metering

Current (A)	Voltage (V)	Tap Off slots	Approx Weight (Kg)	Dimensions (mm)					
				a	b	c	d	e	f
250	690	1	29.5	306	420	650	240	161	240



M2/SOC160-3-BS-SNL-80/S/M1

Frame Size	Device Manufacturer	Rating (A)	Poles	Unit Type	Auxiliary	Breaking Capacity (kA)	Spreader Box	Metering Type	Part Number
3	ABB	200	3	TM	OCT	50	S	M1	M3/ABB'200-3 ² -TM ³ -OCT ⁴ -50 ⁵ /S ⁶ /M1 ⁷
		250							M3/ABB'250-3 ² -TM ³ -OCT ⁴ -50 ⁵ /S ⁶ /M1 ⁷

¹Device manufacturer. Please specify ABB or SCH

²Poles. Please specify 2, 3 or 4 pole

³Unit type. Please specify TM or ET

⁴Auxiliary. Specify OC or OCT if required.

⁵Please specify breaking capacity (kA rms)

⁶If cable spreader is required (*See note below for when cable spreader box is needed)

⁷Meter type to be specified by client

Max Cable size bottom entry: 240mm²

Max Cable size side entry: 240mm²*

*Cable spreader box is required when using cable sizes over 120mm²

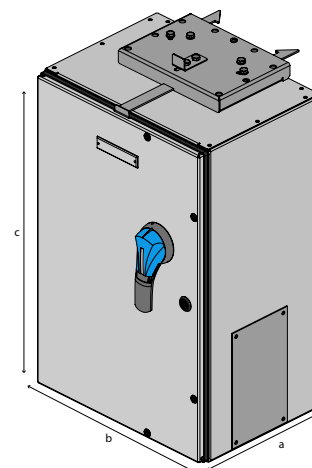
Vertiv™ PowerBar MPB Range V Type

Vertiv™ PowerBar MPB3-TOB-SOC-250A

- In steel enclosure
- Outgoing device - Switchfuse

Tap-off with switchfuse 250A max

Current (A)	Voltage (V)	Tap Off slots	Approx Weight (Kg)	Dimensions (mm)		
				a	b	c
250	500	1	26	306	420	650



M3/SOC200-3-BS-SNL-80/S

Frame Size	Device Manufacturer	Rating (A)	Poles	Unit Type	Auxiliary	Breaking Capacity (kA)	Spreader Box	Part Number
3	Socomec	200	3	BS	SNL	80	S	M3/SOC'200-3 ² -BS ³ -SNL ⁴ -80 ⁵ /S ⁶
		250						M3/SOC'250-3 ² -BS ³ -SNL ⁴ -80 ⁵ /S ⁶

¹Device manufacturer Socomec.

²Poles. Please specify 2, 3 or 4 pole

³Unit type. Please specify BS or DIN

⁴Options. Specify SNL if required.

⁵Breaking Capacity (80kA rms)

⁶If cable spreader is required (*See note below for when cable spreader box is needed)

Max Cable size bottom entry: 240mm²

Max Cable size side entry: 240mm²*

*Cable spreader box is required when using cable sizes over 120mm²

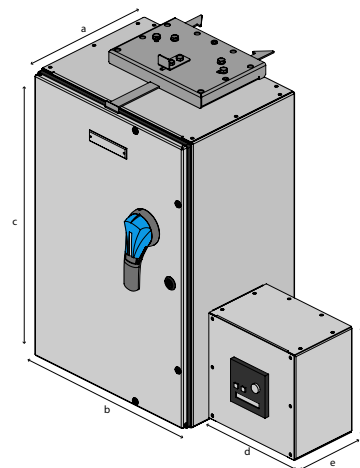
Vertiv™ PowerBar MPB Range V Type

Vertiv™ PowerBar MPB3-TOB-SOC-M-250A

- In steel enclosure
- Outgoing device - Switchfuse

Tap-off with switchfuse 250A + metering

Current (A)	Voltage (V)	Tap Off slots	Approx Weight (Kg)	Dimensions (mm)					
				a	b	c	d	e	f
160	500	1	26	276	320	600	240	161	240



M3/SOC200-3-BS-SNL-80/S/M1

Frame Size	Device Manufacturer	Rating (A)	Poles	Unit Type	Auxiliary	Breaking Capacity (kA)	Spreader Box	Metering Type	Part Number
3	Socomec	200	3	BS	SNL	80	S	M1	M3/SOC'200-3 ² -BS ³ -SNL ⁴ -80 ⁵ /S ⁶ /M1 ⁷
		250							M3/SOC'250-3 ² -BS ³ -SNL ⁴ -80 ⁵ /S ⁶ /M1 ⁷

¹Device manufacturer Socomec.

²Poles. Please specify 2, 3 or 4 pole

³Unit type. Please specify BS or DIN

⁴Options. Specify SNL if required.

⁵Breaking Capacity (80kA rms)

⁶If cable spreader is required (*See note below for when cable spreader box is needed)

⁷Meter type to be specified by client.

Max Cable size bottom entry: 240mm²

Max Cable size side entry: 240mm²*

*Cable spreader box is required when using cable sizes over 120mm²

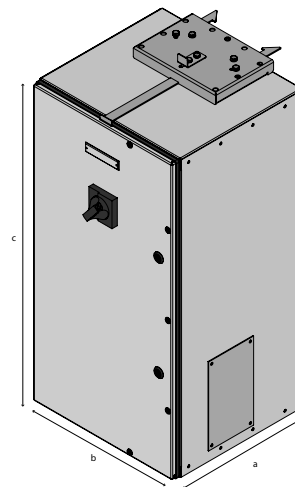
Vertiv™ PowerBar MPB Range V Type

Vertiv™ PowerBar MPB3-TOB-400A

- In steel enclosure
- Outgoing device - MCCB

Tap-off with MCCB 400A max

Current (A)	Voltage (V)	Tap Off slots	Approx Weight (Kg)	Dimensions (mm)		
				a	b	c
400	690	1	43	398	440	860



M4/ABB320-3-TM-OCT-50/S

Frame Size	Device Manufacturer	Rating (A)	Poles	Unit Type	Auxiliary	Breaking Capacity (kA)	Spreader Box	Part Number
4	ABB	320	3	TM	OCT	50	S	M4/ABB'320-3 ² -TM ³ -OCT ⁴ -50 ⁵ /S ⁶
		400						M4/ABB'400-3 ² -TM ³ -OCT ⁴ -50 ⁵ /S ⁶

¹Device manufacturer. Please specify ABB or SCH

²Poles. Please specify 2, 3 or 4 pole

³Unit type. Please specify TM or ET

⁴Auxiliary. Specify OC or OCT if required.

⁵Please specify breaking capacity (kA rms)

⁶If cable spreader is required (*See note below for when cable spreader box is needed)

Max Cable size bottom entry: 300mm²

Max Cable size side entry: 240mm²*

*Cable spreader box is required when using cable sizes over 150mm²

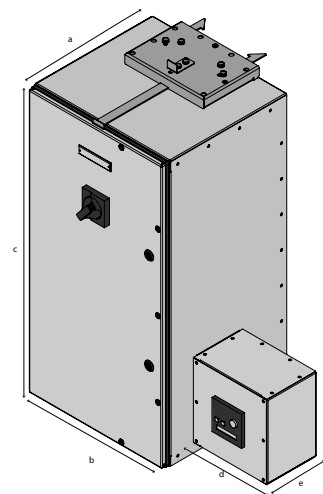
Vertiv™ PowerBar MPB Range V Type

Vertiv™ PowerBar MPB3-TOB-M-400A

- In steel enclosure
- Outgoing device - MCCB

Tap-off with MCCB 400A + metering

Current (A)	Voltage (V)	Tap Off slots	Approx Weight (Kg)	Dimensions (mm)					
				a	b	c	d	e	f
400	690	1	43	398	440	860	240	161	240



M4/ABB320-3-TM-OCT-50/S/M1

Frame Size	Device Manufacturer	Rating (A)	Poles	Unit Type	Auxiliary	Breaking Capacity (kA)	Spreader Box	Metering Type	Part Number
4	ABB	320	3	TM	OCT	60	S	M1	M4/ABB ¹ 320-3 ² -TM ³ -OCT ⁴ -50 ⁵ /S ⁶ /M1 ⁷
		400							M4/ABB ¹ 400-3 ² -TM ³ -OCT ⁴ -50 ⁵ /S ⁶ /M1 ⁷

¹Device manufacturer. Please specify ABB or SCH

²Poles. Please specify 2, 3 or 4 pole

³Unit type. Please specify TM or ET

⁴Auxiliary. Specify OC or OCT if required.

⁵Please specify breaking capacity (kA rms)

⁶If cable spreader is required (*See note below for when cable spreader box is needed)

⁷Meter type to be specified by client

Max Cable size bottom entry: 300mm²

Max Cable size side entry: 240mm²*

*Cable spreader box is required when using cable sizes over 150mm²

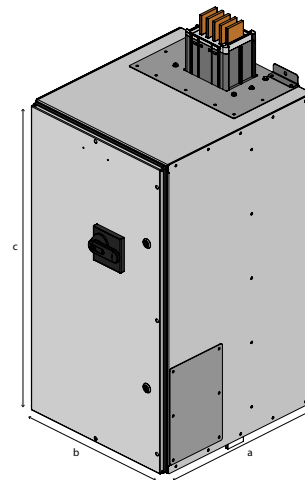
Vertiv™ PowerBar MPB Range V Type

Vertiv™ PowerBar MPB3-TOB-630A

- In steel enclosure
- Outgoing device - MCCB

Inline Tap-off with MCCB 630A max

Current (A)	Voltage (V)	Tap Off slots	Approx Weight (Kg)	Dimensions (mm)		
				a	b	c
630	690	1	47	577	504	960



M5/ABB630-3-TM-OCT-50/S

Frame Size	Device Manufacturer	Rating (A)	Poles	Unit Type	Auxiliary	Breaking Capacity (kA)	Spreader Box	Part Number
5	ABB	630	3	TM	OCT	50	S	M5/ABB ¹ 630-3 ² -TM ³ -OCT ⁴ -50 ⁵ /S ⁶

¹Device manufacturer. Please specify ABB or SCH

²Poles. Please specify 2, 3 or 4 pole

³Unit type. Please specify TM or ET

⁴Auxiliary. Specify OC or OCT if required.

⁵Please specify breaking capacity (kA rms)

⁶If cable spreader is required (*See note below for when cable spreader box is needed)

Max Cable size bottom entry: 2x240mm²

Max Cable size side entry: 2x240mm²*

*Cable spreader box is required when using cable sizes over 2x185mm²

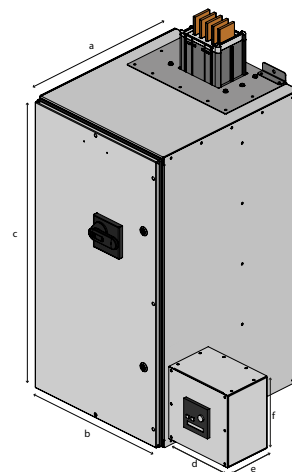
Vertiv™ PowerBar MPB Range V Type

Vertiv™ PowerBar MPB3-TOB-M-630A

- In steel enclosure
- Outgoing device - MCCB

Inline Tap-off with MCCB 630A + metering

Current (A)	Voltage (V)	Tap Off slots	Approx Weight (Kg)	Dimensions (mm)					
				a	b	c	d	e	f
630	690	1	51	577	504	960	240	161	240



M5/ABB630-3-TM-OCT-50/S/M1

Frame Size	Device Manufacturer	Rating (A)	Poles	Unit Type	Auxiliary	Breaking Capacity (kA)	Spreader Box	Metering Type	Part Number
5	ABB	630	3	TM	OCT	50	S	M1	M5/ABB'630-3 ² -TM ³ -OCT ⁴ -50 ⁵ /S ⁶ /M1 ⁷

¹Device manufacturer. Please specify ABB or SCH

²Poles. Please specify 2, 3 or 4 pole

³Unit type. Please specify TM or ET

⁴Auxiliary. Specify OC or OCT if required.

⁵Please specify breaking capacity (kA rms)

⁶If cable spreader is required (*See note below for when cable spreader box is needed)

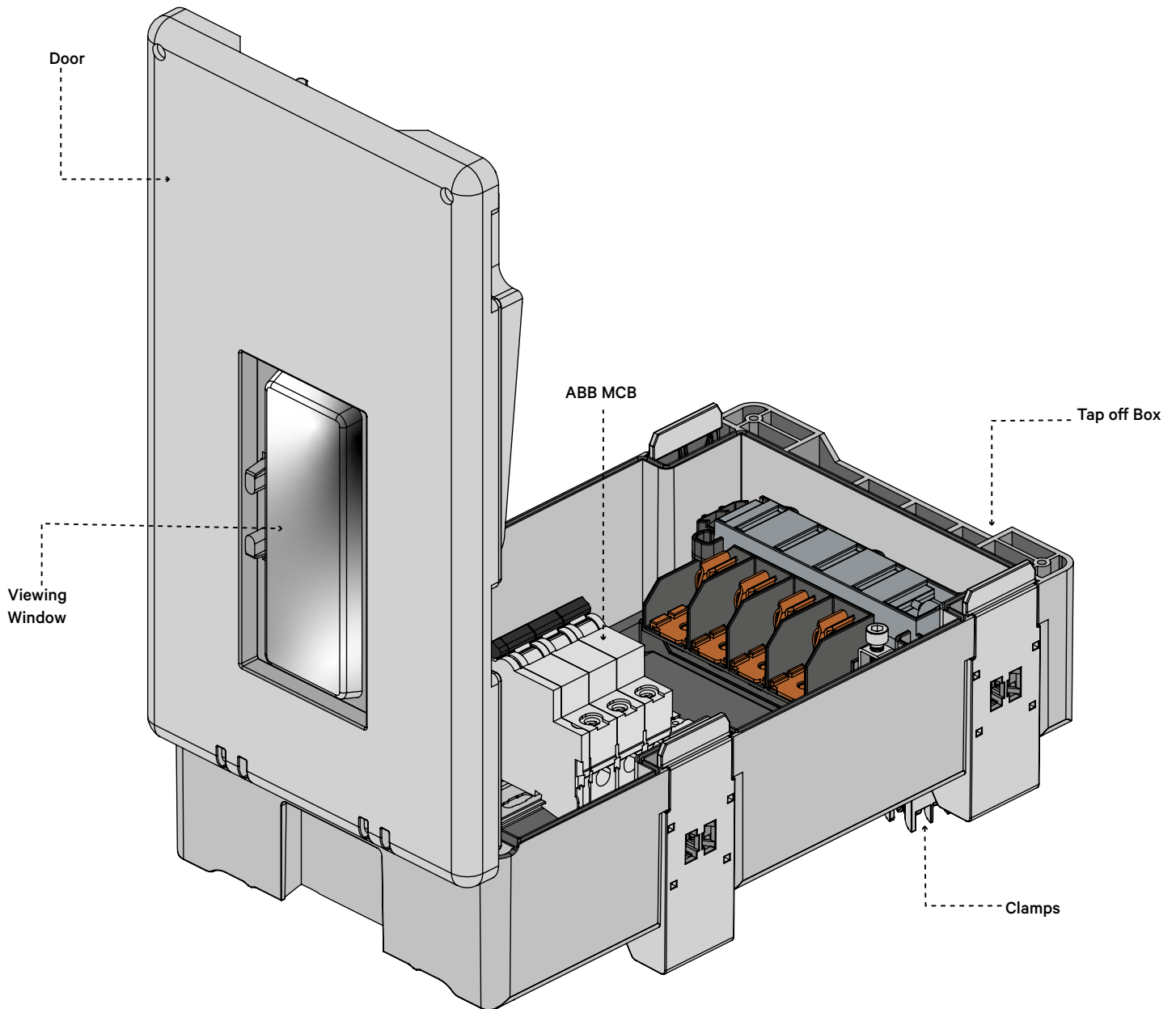
⁷Meter type to be specified by client

Max Cable size bottom entry: 2x240mm²

Max Cable size side entry: 2x240mm²*

*Cable spreader box is required when using cable sizes over 2x185mm²

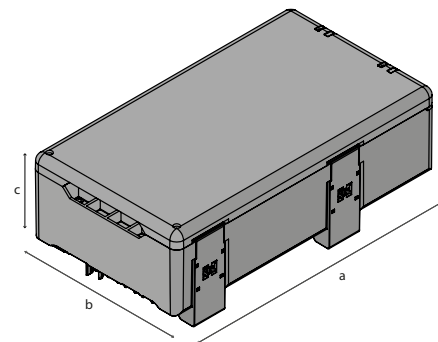
Vertiv™ PowerBar MPB Plastic Layout



Vertiv™ PowerBar MPB Range Plastic

Vertiv™ PowerBar MPB3-PTOB-P1

- In plastic enclosure
- Outgoing device - cylindrical fuse holder (ABB E90 or equivalent)
- For single pole units take care to order specific phase as indicated in the footnote below



Tap-off with cylindrical fuse holder

Current (A)	Voltage (V)	Tap Off slots	Approx Weight (Kg)	Dimensions (mm)		
				a	b	c
100	400	1	5.3	374	209	104

P1/CFH6-1-DIN-100/L1

Frame Size	Device Manufacturer	Rating (A)	Poles	Unit/curve Type	Breaking Capacity (kA)	Phase	Part Number
P1	CFH	6	1	DIN	100	L1	P1/CFH6-1 ¹ -DIN-100/L1 ²
		10					P1/CFH10-1 ¹ -DIN-100/L1 ²
		16					P1/CFH16-1 ¹ -DIN-100/L1 ²
		20					P1/CFH20-1 ¹ -DIN-100/L1 ²
		25					P1/CFH25-1 ¹ -DIN-100/L1 ²
		32					P1/CFH32-1 ¹ -DIN-100/L1 ²
		40					P1/CFH40-1 ¹ -DIN-100/L1 ²
		50					P1/CFH50-1 ¹ -DIN-100/L1 ²
		63					P1/CFH63-1 ¹ -DIN-100/L1 ²
		80					P1/CFH80-1 ¹ -DIN-100/L1 ²
		100					P1/CFH100-1 ¹ -DIN-100/L1 ²

¹Poles. Please specify 1, 2, 3 or 4 pole

²Specify Phase if 1 pole or 2 pole

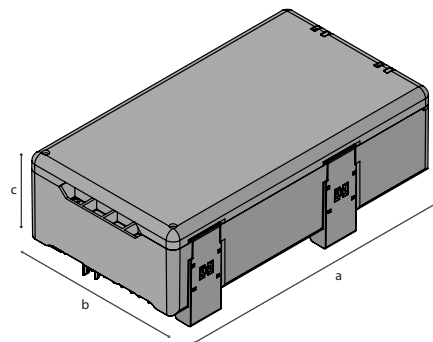
Max Cable size bottom entry: 50mm²

Max Cable size side entry: 25mm²

Vertiv™ PowerBar MPB Range Plastic

Vertiv™ PowerBar MPB3-PTOB-P1

- In plastic enclosure
- Outgoing device - BS88 fuse
- For single pole units take care to order specific phase as indicated in the footnote below



Tap-off with BS88 fuse

Current (A)	Voltage (V)	Tap Off slots	Approx Weight (Kg)	Dimensions (mm)		
				a	b	c
100	415	1	5.3	374	209	104

P1/ EAT 06-1-BS-80/L1

Frame Size	Device Manufacturer	Rating (A)	Poles	Unit/curve Type	Breaking Capacity (kA)	Phase	Part Number
P1	EAT	6	1	BS	80	L1	P1/ EAT06-1 ¹ -BS-80/L1 ²
		10					P1/ EAT10-1 ¹ -BS-80/L1 ²
		16					P1/ EAT16-1 ¹ -BS-80/L1 ²
		20					P1/ EAT20-1 ¹ -BS-80/L1 ²
		25					P1/ EAT25-1 ¹ -BS-80/L1 ²
		32					P1/ EAT32-1 ¹ -BS-80/L1 ²
		40					P1/ EAT40-1 ¹ -BS-80/L1 ²
		50					P1/ EAT50-1 ¹ -BS-80/L1 ²
		63					P1/ EAT63-1 ¹ -BS-80/L1 ²
		80					P1/ EAT80-1 ¹ -BS-80/L1 ²

¹Poles. Please specify 1, 2, 3 or 4 pole

²Specify Phase if 1 pole or 2 pole

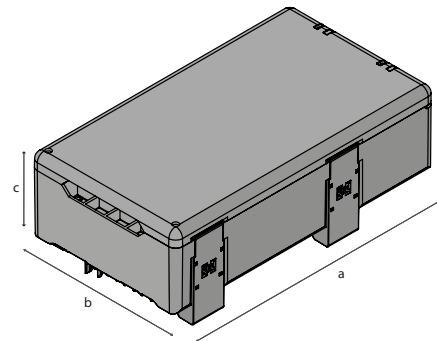
Max Cable size bottom entry: 50mm²

Max Cable size side entry: 25mm²

Vertiv™ PowerBar MPB Range Plastic

Vertiv™ PowerBar MPB3-PTOB-P1

- In plastic enclosure
- Outgoing device - built in NH fuse holder
- For single pole units take care to order specific phase as indicated in the footnote below



Tap-off with NH fuse holder

Current (A)	Voltage (V)	Tap Off slots	Approx Weight (Kg)	Dimensions (mm)		
				a	b	c
100	500	1	5.3	374	209	104

P1/SOC63-1-DIN-100/L1

Frame Size	Device Manufacturer	Rating (A)	Poles	Unit/curve Type	Breaking Capacity (kA)	Phase	Part Number
P1	SOC	63	1	DIN	100	L1	P1/SOC63-1'-DIN-100/L1 ²
		80					P1/SOC80-1'-DIN-100/L1 ²
		100					P1/SOC100-1'-DIN-100/L1 ²

¹Poles. Please specify 1, 2, 3 or 4 pole

² Specify Phase if 1 pole or 2 pole

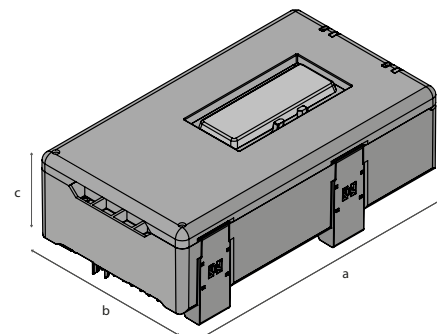
Max Cable size bottom entry: 50mm²

Max Cable size side entry: 25mm²

Vertiv™ PowerBar MPB Range Plastic

Vertiv™ PowerBar MPB3-PTOB-P1

- In plastic enclosure
- Outgoing device - MCB
- Dual rated 10kA to IEC 60898-1 and 15kA to IEC 60947-2
- For single pole units take care to order specific phase as indicated in the footnote below table



Tap-off with MCB

Current (A)	Voltage (V)	Tap Off slots	Approx Weight (Kg)	Dimensions (mm)		
				a	b	c
100	440	1	5.3	374	209	104

P1/ABB06-1-C-OCT-10/L1

Frame Size	Device Manufacturer	Rating (A)	Poles	Unit/curve Type	Auxiliary	Breaking Capacity (kA)	Phase	Part Number
P1	ABB	6	1	C	OCT	10	L1	P1/ABB'06-1 ² -C ³ -OCT ⁴ -10 ⁵ /L1 ⁶
		8						P1/ABB'08-1 ² -C ³ -OCT ⁴ -10 ⁵ /L1 ⁶
		10						P1/ABB'10-1 ² -C ³ -OCT ⁴ -10 ⁵ /L1 ⁶
		15						P1/ABB'15-1 ² -C ³ -OCT ⁴ -10 ⁵ /L1 ⁶
		16						P1/ABB'16-1 ² -C ³ -OCT ⁴ -10 ⁵ /L1 ⁶
		20						P1/ABB'20-1 ² -C ³ -OCT ⁴ -10 ⁵ /L1 ⁶
		25						P1/ABB'25-1 ² -C ³ -OCT ⁴ -10 ⁵ /L1 ⁶
		30						P1/ABB'30-1 ² -C ³ -OCT ⁴ -10 ⁵ /L1 ⁶
		32						P1/ABB'32-1 ² -C ³ -OCT ⁴ -10 ⁵ /L1 ⁶
		40						P1/ABB'40-1 ² -C ³ -OCT ⁴ -10 ⁵ /L1 ⁶
		50						P1/ABB'50-1 ² -C ³ -OCT ⁴ -10 ⁵ /L1 ⁶
		63						P1/ABB'63-1 ² -C ³ -OCT ⁴ -10 ⁵ /L1 ⁶

¹Device manufacturer. Please specify ABB, SCH or EAT

Max Cable size bottom entry: 50mm²

Max Cable size side entry: 25mm²

²Poles. Please specify 1, 2, 3 or 4 pole

³Curve type. Please specify B, C or D.

⁴Auxiliary. Specify OC or OCT if required.

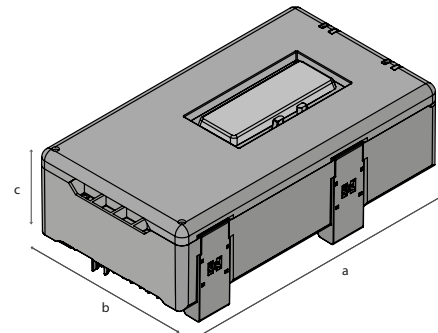
⁵Please specify breaking capacity (kA rms)

⁶Specify Phase if 1 pole or 2 pole

Vertiv™ PowerBar MPB Range Plastic

Vertiv™ PowerBar MPB3-PTOB-P1

- In plastic enclosure
- Outgoing device - MCB's
- Dual rated 15kA to IEC 60898-1 and 25kA to IEC 60947-2
- For single pole units take care to order specific phase as indicated in the footnote below



Tap-off with high load MCB

Current (A)	Voltage (V)	Tap Off slots	Approx Weight (Kg)	Dimensions (mm)		
				a	b	c
100	440	1	5.3	374	209	104

P1/ABB-HL-10-1-C-OCT-30/L1

Frame Size	Device Manufacturer	Rating (A)	Poles	Unit/curve Type	Auxiliary	Breaking Capacity (kA)	Phase	Part Number
P1	ABB	10	1	HLC	OCT	25	L1	P1/ABB ¹ -10-1 ² -HLC ³ -OCT ⁴ -25 ⁵ /L1 ⁶
		15						P1/ABB ¹ -15-1 ² -HLC ³ -OCT ⁴ -25 ⁵ /L1 ⁶
		20						P1/ABB ¹ -20-1 ² -HLC ³ -OCT ⁴ -25 ⁵ /L1 ⁶
		25						P1/ABB ¹ -25-1 ² -HLC ³ -OCT ⁴ -25 ⁵ /L1 ⁶
		32						P1/ABB ¹ -32-1 ² -HLC ³ -OCT ⁴ -25 ⁵ /L1 ⁶
		40						P1/ABB ¹ -40-1 ² -HLC ³ -OCT ⁴ -25 ⁵ /L1 ⁶
		50						P1/ABB ¹ -50-1 ² -HLC ³ -OCT ⁴ -25 ⁵ /L1 ⁶
		63						P1/ABB ¹ -63-1 ² -HLC ³ -OCT ⁴ -25 ⁵ /L1 ⁶

¹Device manufacturer. Please specify ABB, SCH or EAT

Max Cable size bottom entry: 50mm²

Max Cable size side entry: 25mm²

²Poles. Please specify 1, 2, 3 or 4 pole

³Curve type. Please specify HLB, HLC or HLD.

⁴Auxiliary. Specify OC or OCT if required.

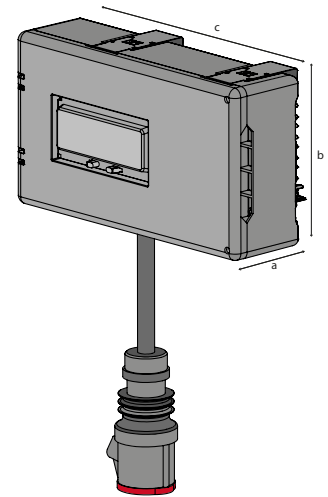
⁵Please specify breaking capacity (kA rms)

⁶Specify Phase if 1 pole or 2 pole

Vertiv™ PowerBar MPB Range Plastic

Vertiv™ PowerBar MPB3-PTOB-P1

- In plastic enclosure
- Outgoing device - MCB's
- Dual rated 10kA to IEC 60898-1 and 15kA to IEC 60947-2
- For single pole use take care to order specific phase as indicated in the foornote below



P1/ABB16-1-C-OCT-10/DC1000/L1

Tap-off with MCB + industrial connector

Current (A)	Voltage (V)	Tap Off slots	Approx Weight (Kg)	Dimensions (mm)		
				a	b	c
100	440	1	5.3	104	209	374

Frame Size	Device Manufacturer	Rating (A)	Poles	Unit/curve Type	Auxiliary	Breaking Capacity (kA)	Socket Position/ Type	Phase	Part Number
P1	ABB	16	1	C	OCT	10	DC1000	L1	P1/ABB'16-1 ² -C ³ -OCT ⁴ -10 ⁵ /DC1000 ⁶ /L1 ⁷
		32							P1/ABB'32-1 ² -C ³ -OCT ⁴ -10 ⁵ /DC1000 ⁶ /L1 ⁷
		63							P1/ABB'63-1 ² -C ³ -OCT ⁴ -10 ⁵ /DC1000 ⁶ /L1 ⁷

¹Device manufacturer. Please specify ABB, SCH or EAT

²Poles. Please specify 1, 2, 3 or 4 pole

³Curve type. Please specify B, C or D.

⁴Auxiliary. Specify OC or OCT if required.

⁵Please specify breaking capacity (kA rms)

⁶Specify Drop Cord length

⁷Specify Phase if 1 pole or 2 pole

Max Cable size bottom entry: 50mm²

Max Cable size side entry: 25mm²

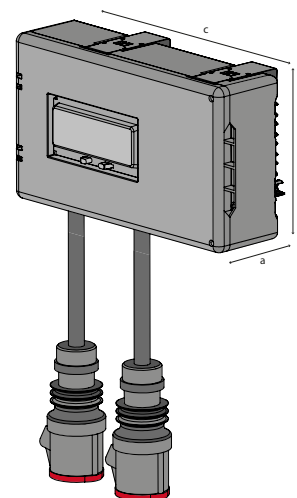
Vertiv™ PowerBar MPB Range Plastic

Vertiv™ PowerBar MPB3-PTOB-P1

- In plastic enclosure
- Outgoing device - MCB's
- Dual rated 10kA to IEC 60898-1 and 15kA to IEC 60947-2
- For single pole use take care to order specific phase as indicated in the footnote below

Tap-off with 2 x MCB + 2 x industrial connector

Current (A)	Voltage (V)	Tap Off slots	Approx Weight (Kg)	Dimensions (mm)		
				a	b	c
100	440	1	5.3	104	209	374



P1/ABB2x16-1-C-OCT-10/DC1000/L1

Frame Size	Device Manufacturer	Rating (A)	Poles	Unit/curve Type	Auxiliary	Breaking Capacity (kA)	Socket Position/ Type	Phase	Part Number
P1	ABB	2x16	1	C	OCT	10	DC1000	L1	P1/ABB'2x16-1 ² -C ³ -OCT ⁴ -10 ⁵ /DC1000 ⁶ /L1 ⁷
		2x32							P1/ABB'2x32-1 ² -C ³ -OCT ⁴ -10 ⁵ /DC1000 ⁶ /L1 ⁷

¹Device manufacturer. Please specify ABB, SCH or EAT

²Poles. Please specify 1, 2, 3 or 4 pole

³Curve type. Please specify B, C or D.

⁴Auxiliary. Specify OC or OCT if required.

⁵Please specify breaking capacity (kA rms)

⁶Specify Drop Cord length

⁷Specify Phase if 1 pole or 2 pole

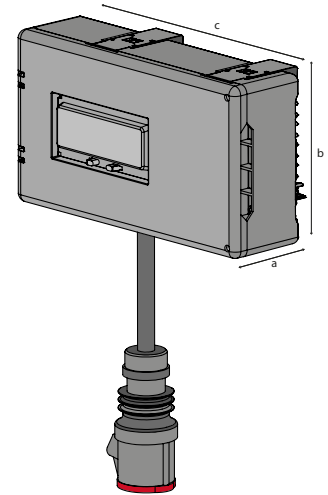
Max Cable size bottom entry: 50mm²

Max Cable size side entry: 25mm²

Vertiv™ PowerBar MPB Range Plastic

Vertiv™ PowerBar MPB3-PTOB-P1

- In plastic enclosure
- Outgoing device - MCB's
- Dual rated 15kA to IEC 60898-1 and 25kA to IEC 60947-2
- For single pole use take care to order specific phase as indicated in the footnote below



P1/ABB-HL-16-1-C-OCT-30/DC1000/L1

Tap-off with high load MCB + industrial connector

Current (A)	Voltage (V)	Tap Off slots	Approx Weight (Kg)	Dimensions (mm)		
				a	b	c
100	440	1	5.3	104	209	374

Frame Size	Device Manufacturer	Rating (A)	Poles	Unit/curve Type	Auxiliary	Breaking Capacity (kA)	Socket Position/ Type	Phase	Part Number
P1	ABB	16	1	HLC	OCT	25	DC1000	L1	P1/ABB'16-1 ² -HLC ³ -OCT ⁴ -25 ⁵ /DC1000 ⁶ /L1 ⁷
		32							P1/ABB'32-1 ² -HLC ³ -OCT ⁴ -25 ⁵ /DC1000 ⁶ /L1 ⁷
		63							P1/ABB'63-1 ² -HLC ³ -OCT ⁴ -25 ⁵ /DC1000 ⁶ /L1 ⁷

¹Device manufacturer. Please specify ABB, SCH or EAT

²Poles. Please specify 1, 2, 3 or 4 pole

³Curve type. Please specify HLB, HLC or HLD.

⁴Auxiliary. Specify OC or OCT if required.

⁵Please specify breaking capacity (kA rms)

⁶Specify Drop Cord length

⁷Specify Phase if 1 pole or 2 pole

Max Cable size bottom entry: 50mm²

Max Cable size side entry: 25mm²

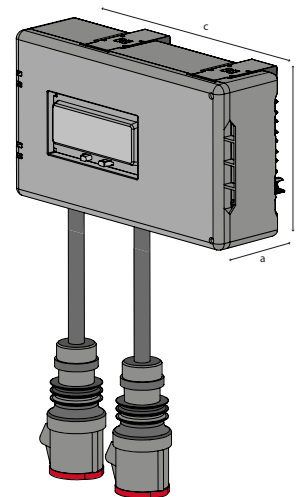
Vertiv™ PowerBar MPB Range Plastic

Vertiv™ PowerBar MPB3-PTOB-P1

- In plastic enclosure
- Outgoing device - MCB's
- Dual rated 15kA to IEC 60898-1 and 25kA to IEC 60947-2
- For single pole use take care to order specific phase as indicated in the footnote below

Tap-off with 2 x high load MCB + 2 x industrial connector

Current (A)	Voltage (V)	Tap Off slots	Approx Weight (Kg)	Dimensions (mm)		
				a	b	c
100	440	1	5.3	104	209	374



P1/ABB-HL-2x16-1-C-OCT-30/DC1000/L1

Frame Size	Device Manufacturer	Rating (A)	Poles	Unit/curve Type	Auxiliary	Breaking Capacity (kA)	Socket Position/ Type	Phase	Part Number
P1	ABB	2x16	1	HLC	OCT	25	DC1000	L1	P1/ABB'2x16-1 ² -HLC ³ -OCT ⁴ -25 ⁵ /DC1000 ⁶ /L1 ⁷
		2x32							P1/ABB'2x32-1 ² -HLC ³ -OCT ⁴ -25 ⁵ /DC1000 ⁶ /L1 ⁷

¹Device manufacturer. Please specify ABB, SCH or EAT

²Poles. Please specify 1, 2, 3 or 4 pole

³Curve type. Please specify HLB, HLC or HLD.

⁴Auxiliary. Specify OC or OCT if required.

⁵Please specify breaking capacity (kA rms)

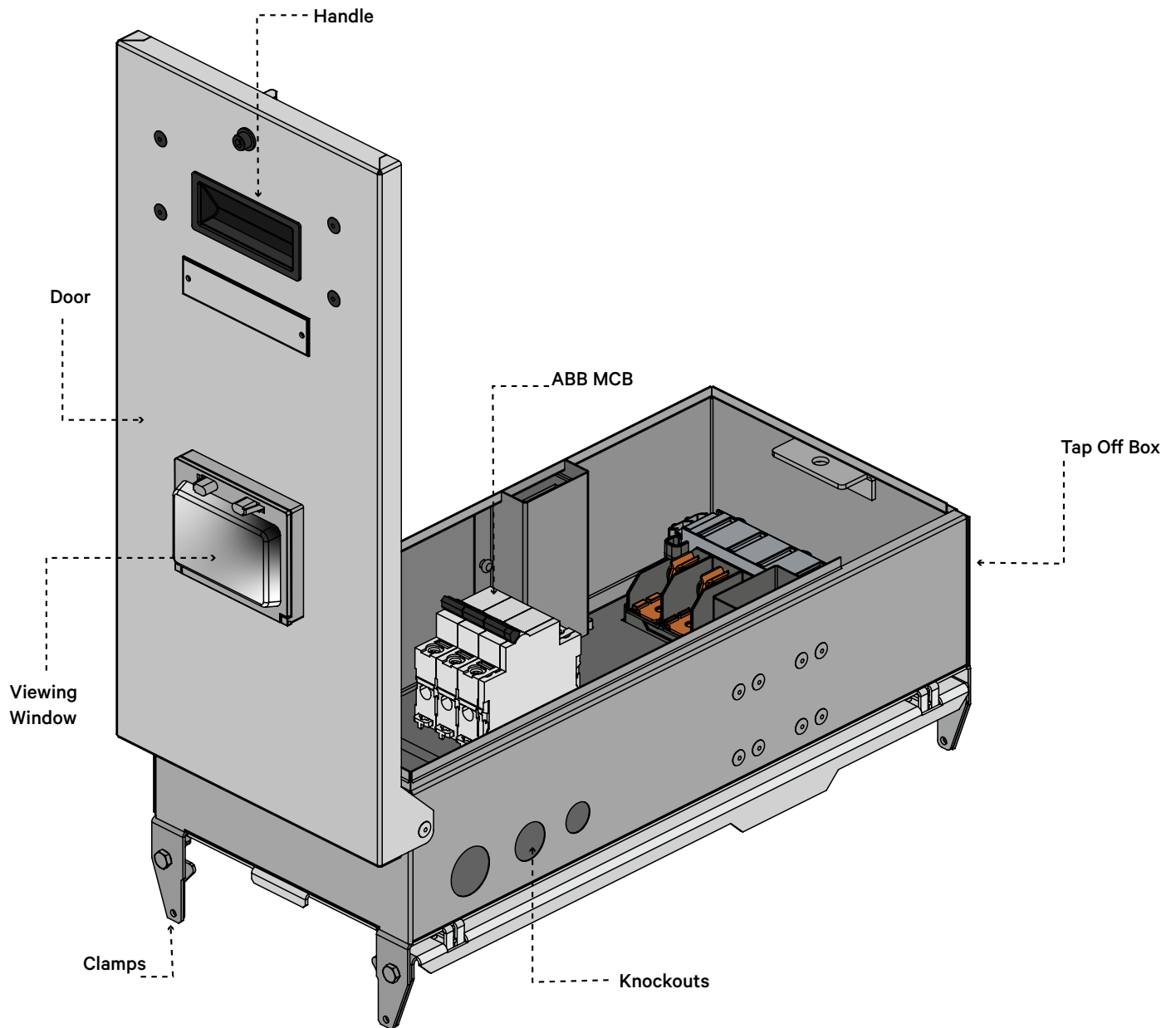
⁶Specify Drop Cord length

⁷Specify Phase if 1 pole or 2 pole

Max Cable size bottom entry: 50mm²

Max Cable size side entry: 25mm²

Vertiv™ PowerBar MPB Euro Layout

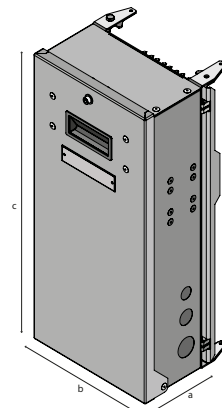


Vertiv™ PowerBar MPB Range Euro

Vertiv™ PowerBar MPB3-ETOB-T1

- In steel enclosure
- Outgoing device - cylindrical fuse holder (ABB E90 or equivalent)
- For single pole unit only take care to order specific phase as indicated in the footnote below

Current (A)	Voltage (V)	Tap Off slots	Approx Weight (Kg)	Dimensions (mm)		
				a	b	c
125	400	1	5.3	116	224	476

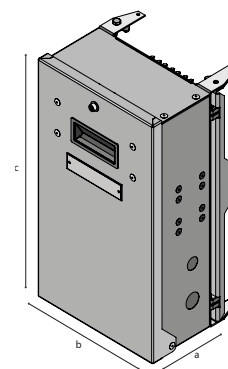


ET1/CFH80-1-DIN-100/L1

Vertiv™ PowerBar MPB3-ETOB-T2

- In steel enclosure
- Outgoing device - cylindrical fuse holder (ABB E90 or equivalent)
- For single pole unit only take care to order specific phase as indicated in the footnote below

Current (A)	Voltage (V)	Tap Off slots	Approx Weight (Kg)	Dimensions (mm)		
				a	b	c
63	400	1	5	116	224	386



ET2/CFH6-1-DIN-100/L1

Tap-off with cylindrical fuse holder

Frame Size	Device Manufacturer	Rating (A)	Poles	Unit Type	Breaking Capacity (kA)	Phase	Part Number
T1	CFH	80	1	DIN	100	L1	ET1/CFH80-1'-DIN-100/L1 ²
		100					ET1/CFH100-1'-DIN-100/L1 ²
T2		6					ET2/CFH6-1'-DIN-100/L1 ²
		10					ET2/CFH10-1'-DIN-100/L1 ²
		16					ET2/CFH16-1'-DIN-100/L1 ²
		20					ET2/CFH20-1'-DIN-100/L1 ²
		25					ET2/CFH25-1'-DIN-100/L1 ²
		32					ET2/CFH32-1'-DIN-100/L1 ²
		40					ET2/CFH40-1'-DIN-100/L1 ²
		50					ET2/CFH50-1'-DIN-100/L1 ²
63	ET2/CFH63-1'-DIN-100/L1 ²						

¹Poles. Please specify 1, 2, 3 or 4 pole

²Specify Phase if 1 pole or 2 pole

T1 Max Cable size bottom entry: 70mm²

T1 Max Cable size side entry: 25mm²

T2 Max Cable size bottom entry: 35mm²

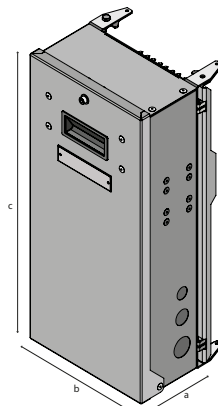
T2 Max Cable size side entry: 25mm²

Vertiv™ PowerBar MPB Range Euro

Vertiv™ PowerBar MPB3-ETOB-T1

- In steel enclosure
- Outgoing device - BS88 fuse
- For single pole unit only take care to order specific phase as indicated in the footnote below

Current (A)	Voltage (V)	Tap Off slots	Approx Weight (Kg)	Dimensions (mm)		
				a	b	c
125	415	1	5.3	116	224	476

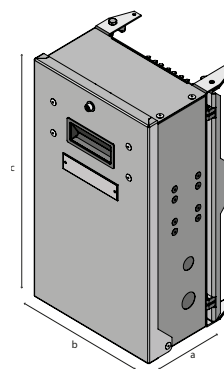


ET1/EAT80-1-BS-80/L1

Vertiv™ PowerBar MPB3 -ETOB-T2

- In steel enclosure
- Outgoing device - BS88 fuse
- For single pole unit only take care to order specific phase as indicated in the footnote below

Current (A)	Voltage (V)	Tap Off slots	Approx Weight (Kg)	Dimensions (mm)		
				a	b	c
63	415	1	5	116	224	386



ET2/EAT6-1-BS-80/L1

Tap-off with BS88 fuse

Frame Size	Device Manufacturer	Rating (A)	Poles	Unit Type	Breaking Capacity (kA)	Phase	Part Number
T1	EAT	80	1	BS	80	L1	ET1/EAT80-1-BS-80/L1 ¹
T2		6					ET2/EAT06-1-BS-80/L1 ²
		10					ET2/EAT10-1-BS-80/L1 ²
		16					ET2/EAT16-1-BS-80/L1 ²
		20					ET2/EAT20-1-BS-80/L1 ²
		25					ET2/EAT25-1-BS-80/L1 ²
		32					ET2/EAT32-1-BS-80/L1 ²
		40					ET2/EAT40-1-BS-80/L1 ²
		50					ET2/EAT50-1-BS-80/L1 ²
		63					ET2/EAT63-1-BS-80/L1 ²

¹Poles. Please specify 1, 2, 3 or 4 pole

² Specify Phase if 1 pole or 2 pole

T1 Max Cable size bottom entry: 70mm²

T1 Max Cable size side entry: 25mm²

T2 Max Cable size bottom entry: 35mm²

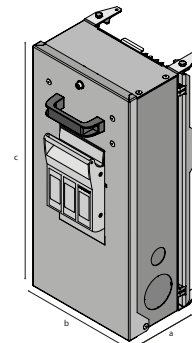
T2 Max Cable size side entry: 25mm²

Vertiv™ PowerBar MPB Range Euro

Vertiv™ PowerBar MPB3-ETOB-T1

- In steel enclosure
- Outgoing device - fuse switch disconnecter (Jean Muller or equivalent)
- With knife disconnecter

Current (A)	Voltage (V)	Tap Off slots	Approx Weight (Kg)	Dimensions (mm)		
				a	b	c
125	500	1	5.3	116	224	476

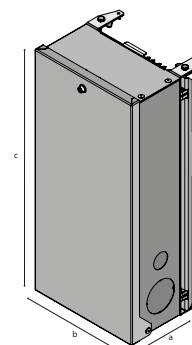


ET1/JM63-1-NH-KD-100/L1

Vertiv™ PowerBar MPB3-ETOB-T1

- In steel enclosure
- Outgoing device - fuse switch disconnecter (Jean Muller or equivalent)
- Without knife disconnecter

Current (A)	Voltage (V)	Tap Off slots	Approx Weight (Kg)	Dimensions (mm)		
				a	b	c
125	500	1	5	116	224	386



ET1/JM63-1-NH-100/L1

Tap-off with NH fuse holder including knife disconnecter

Frame Size	Device Manufacturer	Rating (A)	Poles	Unit/curve Type	Auxiliary/Options	Breaking Capacity (kA)	Phase	Part Number
T1	JM	63	1	NH	KD	100	L1	ET1/JM63-1'-NH-KD-100/L1 ²
		80						ET1/JM80-1'-NH-KD-100/L1 ²
		100						ET1/JM100-1'-NH-KD-100/L1 ²
		125						ET1/JM125-1'-NH-KD-100/L1 ²

Tap-off with NH fuse holder without knife disconnecter

Frame Size	Device Manufacturer	Rating (A)	Poles	Unit Type	Breaking Capacity (kA)	Phase	Part Number
T1	JM	63	1	NH	100	L1	ET1/JM63-1'-NH-100/L1 ²
		80					ET1/JM80-1'-NH-100/L1 ²
		100					ET1/JM100-1'-NH-100/L1 ²
		125					ET1/JM125-1'-NH-100/L1 ²

¹Poles. Please specify 1, 2, 3 or 4 pole

² Specify Phase if 1 pole or 2 pole

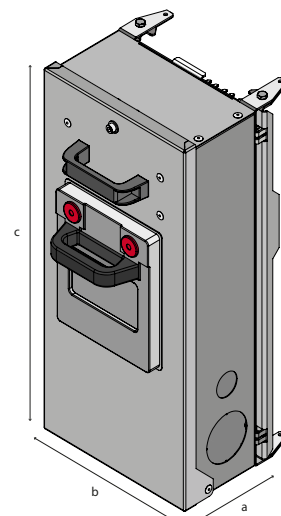
T1 Max Cable size bottom entry: 70mm²

T1 Max Cable size side entry: 25mm²

Vertiv™ PowerBar MPB Range Euro

Vertiv™ PowerBar MPB3-ETOB-T1

- In steel enclosure
- Outgoing device - cylindrical fuse holder (ABB E90 or equivalent)
- For single pole unit only take care to order specific phase as indicated in the footnote below table



Current (A)	Voltage (V)	Tap Off slots	Approx Weight (Kg)	Dimensions (mm)		
				a	b	c
125	500	1	5	116	224	476

ET1/JM63-1-NH-KD54-100/L1

Tap-off with IP54 NH fuse switch disconnecter (including knife disconnecter)

Frame Size	Device Manufacturer	Rating (A)	Poles	Unit/curve Type	Auxiliary/Options	Breaking Capacity (kA)	Phase	Part Number
T1	JM	63	1	NH	KD54	100	L1	ET1/JM63-1'-NH-KD54-100/L1 ²
		80						ET1/JM80-1'-NH-KD54-100/L1 ²
		100						ET1/JM100-1'-NH-KD54-100/L1 ²
		125						ET1/JM125-1'-NH-KD54-100/L1 ²

¹Poles. Please specify 1, 2, 3 or 4 pole

²Specify Phase if 1 pole or 2 pole

T1 Max Cable size bottom entry: 70mm²

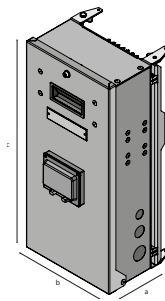
T1 Max Cable size side entry: 25mm²

Vertiv™ PowerBar MPB Range Euro

Vertiv™ PowerBar MPB3-ETOB-T1

- In steel enclosure
- Outgoing device -MCBs
- Dual rated 10kA to IEC 60898 and 15kA to IEC 60947-2

Current (A)	Voltage (V)	Tap Off slots	Approx Weight (Kg)	Dimensions (mm)		
				a	b	c
125	440	1	5.3	116	224	476

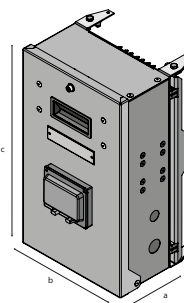


ET1/ABB2x32-1-C-OCT-10/L1

Vertiv™ PowerBar MPB3-ETOB-T2

- In steel enclosure
- Outgoing device -MCBs
- Dual rated 10kA to IEC 60898 and 15kA to IEC 60947-2

Current (A)	Voltage (V)	Tap Off slots	Approx Weight (Kg)	Dimensions (mm)		
				a	b	c
63	440	1	5	116	224	386



ET2/ABB6-1-C-OCT-10/L1

Tap-off with MCB

Frame Size	Device Manufacturer	Rating (A)	Poles	Unit/curve Type	Auxiliary/Options	Breaking Capacity (kA)	Phase	Part Number
T1	ABB	2x32	1	C	OCT	10	L1	ET1/ABB'2x32-1 ² -C ³ -OCT ⁴ -10 ⁵ /L1 ⁶
		2x40						ET1/ABB'2x40-1 ² -C ³ -OCT ⁴ -10 ⁵ /L1 ⁶
		2x50						ET1/ABB'2x50-1 ² -C ³ -OCT ⁴ -10 ⁵ /L1 ⁶
		2x63						ET1/ABB'2x63-1 ² -C ³ -OCT ⁴ -10 ⁵ /L1 ⁶
T2	ABB	6	1	C	OCT	10	L1	ET2/ABB'6-1 ² -C ³ -OCT ⁴ -10 ⁵ /L1 ⁶
		8						ET2/ABB'8-1 ² -C ³ -OCT ⁴ -10 ⁵ /L1 ⁶
		10						ET2/ABB'10-1 ² -C ³ -OCT ⁴ -10 ⁵ /L1 ⁶
		15						ET2/ABB'15-1 ² -C ³ -OCT ⁴ -10 ⁵ /L1 ⁶
		16						ET2/ABB'16-1 ² -C ³ -OCT ⁴ -10 ⁵ /L1 ⁶
		20						ET2/ABB'20-1 ² -C ³ -OCT ⁴ -10 ⁵ /L1 ⁶
		25						ET2/ABB'25-1 ² -C ³ -OCT ⁴ -10 ⁵ /L1 ⁶
		30						ET2/ABB'30-1 ² -C ³ -OCT ⁴ -10 ⁵ /L1 ⁶
		32						ET2/ABB'32-1 ² -C ³ -OCT ⁴ -10 ⁵ /L1 ⁶
		40						ET2/ABB'40-1 ² -C ³ -OCT ⁴ -10 ⁵ /L1 ⁶
50	ET2/ABB'50-1 ² -C ³ -OCT ⁴ -10 ⁵ /L1 ⁶							
63	ET2/ABB'63-1 ² -C ³ -OCT ⁴ -10 ⁵ /L1 ⁶							

¹Device manufacturer. Please specify ABB or SCH

²Poles. Please specify 1, 2, 3 or 4 pole

³Curve type. Please specify B, C or D.

⁴Auxiliary. Specify OC or OCT if required.

⁵Breaking Capacity (kA rms). Please specify 10/14kA etc.

⁶Specify Phase if 1 pole or 2 pole

T1 Max Cable size bottom entry: 70mm²

T1 Max Cable size side entry: 25mm²

T2 Max Cable size bottom entry: 35mm²

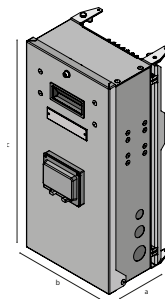
T2 Max Cable size side entry: 25mm²

Vertiv™ PowerBar MPB Range Euro

Vertiv™ PowerBar MPB3-ETOB-T1

- In steel enclosure
- Outgoing device - MCB's
- 15kA and 20kA to IEC 60897 and 25kA to IEC 60947-2

Current (A)	Voltage (V)	Tap Off slots	Approx Weight (Kg)	Dimensions (mm)		
				a	b	c
125	440	1	5.3	116	224	476

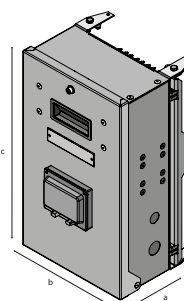


ET1/ABB-HL-80-1-C-OCT-30/L1

Vertiv™ PowerBar MPB3z-ETOB-T2

- In steel enclosure
- Outgoing device - MCB's
- 15kA and 20kA to IEC 60897 and 25kA to IEC 60947-2

Current (A)	Voltage (V)	Tap Off slots	Approx Weight (Kg)	Dimensions (mm)		
				a	b	c
63	440	1	5	116	224	386



ET2/ABB-HL-10-1-C-OCT-30/L1

Tap-off with highload MCB

Frame Size	Device Manufacturer	Rating (A)	Poles	Unit/curve Type	Auxiliary/Options	Breaking Capacity (kA)	Phase	Part Number
T1	ABB	80	1	HLC	OCT	25	L1	ET1/ABB ¹ -80-1 ² -HLC ³ -OCT ⁴ -25 ⁵ /L1 ⁶
		100						ET1/ABB ¹ -100-1 ² -HLC ³ -OCT ⁴ -25 ⁵ /L1 ⁶
		2x32						ET1/ABB ¹ -2x32-1 ² -HLC ³ -OCT ⁴ -25 ⁵ /L1 ⁶
		2x40						ET1/ABB ¹ -2x40-1 ² -HLC ³ -OCT ⁴ -25 ⁵ /L1 ⁶
		2x50						ET1/ABB ¹ -2x50-1 ² -HLC ³ -OCT ⁴ -25 ⁵ /L1 ⁶
		2x63						ET1/ABB ¹ -2x63-1 ² -HLC ³ -OCT ⁴ -25 ⁵ /L1 ⁶
T2	ABB	10	1	HLC	OCT	25	L1	ET2/ABB ¹ -10-1 ² -HLC ³ -OCT ⁴ -25 ⁵ /L1 ⁶
		15						ET2/ABB ¹ -15-1 ² -HLC ³ -OCT ⁴ -25 ⁵ /L1 ⁶
		20						ET2/ABB ¹ -20-1 ² -HLC ³ -OCT ⁴ -25 ⁵ /L1 ⁶
		25						ET2/ABB ¹ -25-1 ² -HLC ³ -OCT ⁴ -25 ⁵ /L1 ⁶
		32						ET2/ABB ¹ -32-1 ² -HLC ³ -OCT ⁴ -25 ⁵ /L1 ⁶
		40						ET2/ABB ¹ -40-1 ² -HLC ³ -OCT ⁴ -25 ⁵ /L1 ⁶
		50						ET2/ABB ¹ -50-1 ² -HLC ³ -OCT ⁴ -25 ⁵ /L1 ⁶
		63						ET2/ABB ¹ -63-1 ² -HLC ³ -OCT ⁴ -25 ⁵ /L1 ⁶

¹Device manufacturer. Please specify ABB, SCH or EAT

²Poles. Please specify 1, 2, 3 or 4 pole

³Curve type. Please specify HLB, HLC or HLD.

⁴Auxiliary. Specify OC or OCT if required.

⁵Please specify breaking capacity (kA rms)

⁶Specify Phase if 1 pole or 2 pole

T1 Max Cable size bottom entry: 70mm²

T1 Max Cable size side entry: 25mm²

T2 Max Cable size bottom entry: 35mm²

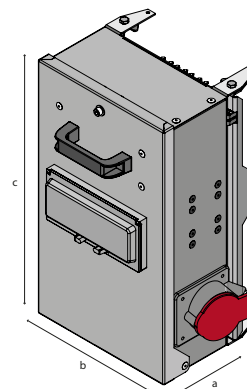
T2 Max Cable size side entry: 25mm²

Vertiv™ PowerBar MPB Range Euro

Vertiv™ PowerBar MPB3-ETOB-T2

- In steel enclosure
- Outgoing device - MCB's
- Dual rated 10kA to IEC 60898-1 and 15kA to IEC 60947-2

Current (A)	Voltage (V)	Tap Off slots	Approx Weight (Kg)	Dimensions (mm)		
				a	b	c
63	440	1	5	116	224	386

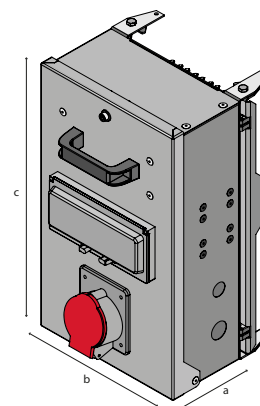


ET2/ABB16-3-C-OCT-10/R

Vertiv™ PowerBar MPB3-ETOB-T2

- In steel enclosure
- Outgoing device - MCB's
- Dual rated 10kA to IEC 60898-1 and 15kA to IEC 60947-2

Current (A)	Voltage (V)	Tap Off slots	Approx Weight (Kg)	Dimensions (mm)		
				a	b	c
63	440	1	5	116	224	386



ET2/ABB16-3-C-OCT-10/F

Tap-off with MCB + industrial socket

Frame Size	Device Manufacturer	Rating (A)	Poles	Unit/curve Type	Auxiliary/Options	Breaking Capacity (kA)	Socket Position/Type	Part Number
T2	ABB	16	3	C	OCT	10	R	ET2/ABB'16-3 ² -C ³ -OCT ⁴ -10 ⁵ /R ⁶
		32					R	ET2/ABB'32-3 ² -C ³ -OCT ⁴ -10 ⁵ /R ⁶

¹Device manufacturer. Please specify ABB, SCH or EAT

²Poles. Please specify 1, 2, 3 or 4 pole

³Curve type. Please specify B, C or D.

⁴Auxiliary. Specify OC or OCT if required.

⁵Please specify breaking capacity (kA rms)

⁶Specify drop cord length or socket position.

F=Front, R=Right or L=Left

*Drop Cord only

T2 Max Cable size bottom entry: 35mm²

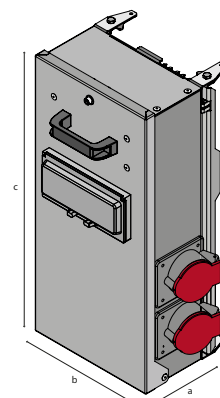
T2 Max Cable size side entry: 25mm²

Vertiv™ PowerBar MPB Range Euro

Vertiv™ PowerBar MPB3-ETOB-T1

- In steel enclosure
- Outgoing device - MCB's
- Dual rated 10kA to IEC 60898-1 and 15kA to IEC 60947-2

Current (A)	Voltage (V)	Tap Off slots	Approx Weight (Kg)	Dimensions (mm)		
				a	b	c
125	440	1	5.3	116	224	476

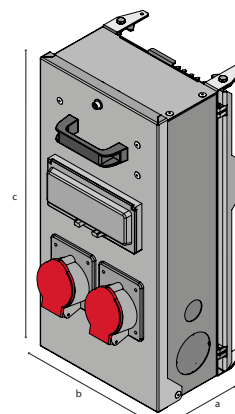


ET1/ABB2x16-3-C-OCT-10/R

Vertiv™ PowerBar MPB3-ETOB-T1

- In steel enclosure
- Outgoing device - MCB's
- Dual rated 10kA to IEC 60898-1 and 15kA to IEC 60947-2

Current (A)	Voltage (V)	Tap Off slots	Approx Weight (Kg)	Dimensions (mm)		
				a	b	c
125	440	1	5.3	116	224	476



ET1/ABB2x16-3-C-OCT-10/F

Tap-off with MCB + industrial socket

Frame Size	Device Manufacturer	Rating (A)	Poles	Unit/curve Type	Auxiliary/Options	Breaking Capacity (kA)	Socket Position/Type	Part Number
T1	ABB	2x16	3	C	OCT	10	R	ET1/ABB'2x16-3 ² -C ³ -OCT ⁴ -10 ⁵ /R ⁶
		2x32					R	ET1/ABB'2x32-3 ² -C ³ -OCT ⁴ -10 ⁵ /R ⁶
		16					R	ET1/ABB'16-3 ² -C ³ -OCT ⁴ -10 ⁵ /R ⁶
		32					R	ET1/ABB'32-3 ² -C ³ -OCT ⁴ -10 ⁵ /R ⁶
		63*					DC1000	ET1/ABB'63-3 ² -C ³ -OCT ⁴ -10 ⁵ /DC1000 ⁶

¹Device manufacturer. Please specify ABB, SCH or EAT

²Poles. Please specify 1, 2, 3 or 4 pole

³Curve type. Please specify B, C or D.

⁴Auxiliary. Specify OC or OCT if required.

⁵Please specify breaking capacity (kA rms)

⁶Specify drop cord length or socket position.

F=Front, R=Right or L=Left

* Drop Cord Only

T1 Max Cable size bottom entry: 70mm²

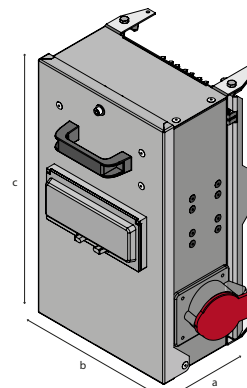
T1 Max Cable size side entry: 25mm²

Vertiv™ PowerBar MPB Range Euro

Vertiv™ PowerBar MPB3-ETOB-T2

- In steel enclosure
- Outgoing device - MCB's
- Dual rated 15kA to IEC 60898-1 and 25kA to IEC 60947-2

Current (A)	Voltage (V)	Tap Off slots	Approx Weight (Kg)	Dimensions (mm)		
				a	b	c
63	440	1	5	116	224	386

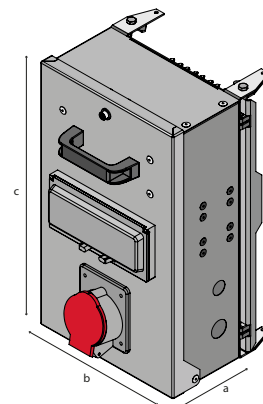


ET2/ABB-HL-16-3-C-OCT-30/R

Vertiv™ PowerBar MPB3-ETOB-T2

- In steel enclosure
- Outgoing device - MCB's
- Dual rated 15kA to IEC 60898-1 and 25kA to IEC 60947-2

Current (A)	Voltage (V)	Tap Off slots	Approx Weight (Kg)	Dimensions (mm)		
				a	b	c
63	440	1	5	116	224	386



ET2/ABB-HL-16-3-C-OCT-30/F

Tap-off with high load MCB + industrial socket

Frame Size	Device Manufacturer	Rating (A)	Poles	Unit/curve Type	Auxiliary/Options	Breaking Capacity (kA)	Socket Position/Type	Part Number
T2	ABB	16	3	HLC	OCT	25	R	ET2/ABB1-16-3 ² -HLC ³ -OCT ⁴ -25 ⁵ /R ⁶
		32					R	ET2/ABB1-32-3 ² -HLC ³ -OCT ⁴ -25 ⁵ /R ⁶
		63*					DC1000	ET2/ABB1-63-3 ² -HLC ³ -OCT ⁴ -25 ⁵ /DC1000 ⁶

¹Device manufacturer. Please specify ABB, SCH or EAT

²Poles. Please specify 1, 2, 3 or 4 pole

³Curve type. Please specify HLB, HLC or HLD

⁴Auxiliary. Specify OC or OCT if required.

⁵Please specify breaking capacity (kA rms)

⁶Specify drop cord length or socket position.

F=Front, R=Right or L=Left

* Drop Cord Only

T1 Max Cable size bottom entry: 35mm²

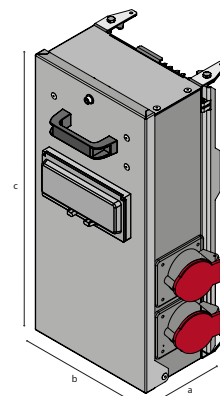
T1 Max Cable size side entry: 25mm²

Vertiv™ PowerBar MPB Range Euro

Vertiv™ PowerBar MPB3-ETOB-T1

- In steel enclosure
- Outgoing device - MCB's
- Dual rated 15kA to IEC 60898-1 and 25kA to IEC 60947-2

Current (A)	Voltage (V)	Tap Off slots	Approx Weight (Kg)	Dimensions (mm)		
				a	b	c
125	440	1	5.3	116	224	476

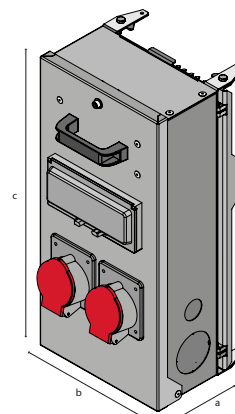


ET1/ABB-HL-2x16-3-C-OCT-30/R

Vertiv™ PowerBar MPB3-ETOB-T1

- In steel enclosure
- Outgoing device - MCB's
- Dual rated 15kA to IEC 60898-1 and 25kA to IEC 60947-2

Current (A)	Voltage (V)	Tap Off slots	Approx Weight (Kg)	Dimensions (mm)		
				a	b	c
125	440	1	5.3	116	224	476



ET1/ABB-HL-2x16-3-C-OCT-30/F

Tap-off with high load MCB + industrial socket

Frame Size	Device Manufacturer	Rating (A)	Poles	Unit/curve Type	Auxiliary/Options	Breaking Capacity (kA)	Socket Position/Type	Part Number
T1	ABB	2x16	3	HLC	OCT	25	R	ET1/ABB ¹ -2x16-3 ² -HLC ³ -OCT ⁴ -25 ⁵ /R ⁶
		2x32					R	ET1/ABB ¹ -2x32-3 ² -HLC ³ -OCT ⁴ -25 ⁵ /R ⁶
		16					R	ET1/ABB ¹ -16-3 ² -HLC ³ -OCT ⁴ -25 ⁵ /R ⁶
		32					R	ET1/ABB ¹ -32-3 ² -HLC ³ -OCT ⁴ -25 ⁵ /R ⁶
		63*					DC1000	ET1/ABB ¹ -63-3 ² -HLC ³ -OCT ⁴ -25 ⁵ /DC1000 ⁶

¹Device manufacturer. Please specify ABB, SCH or EAT

²Poles. Please specify 1, 2, 3 or 4 pole

³Curve type. Please specify HLB, HLC or HLD.

⁴Auxiliary. Specify OC or OCT if required.

⁵Please specify breaking capacity (kA rms)

⁶Specify drop cord length or socket position.

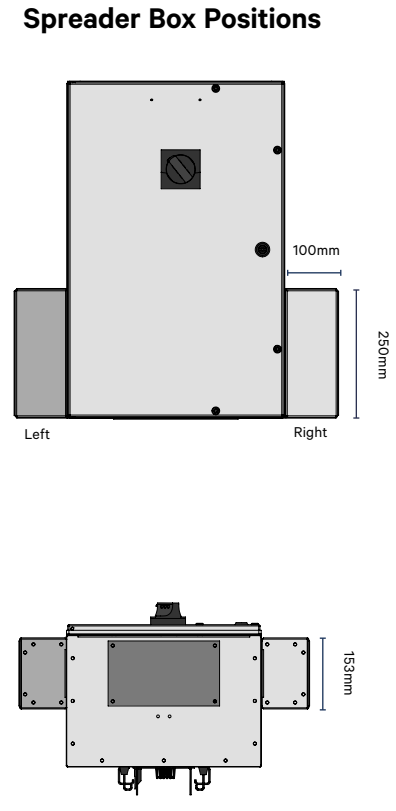
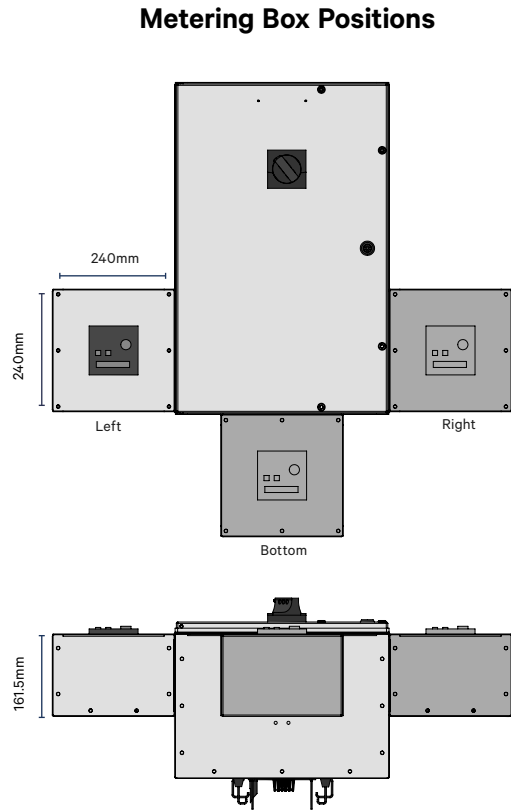
F=Front, R=Right or L=Left

* Drop Cord Only

T1 Max Cable size bottom entry: 70mm²

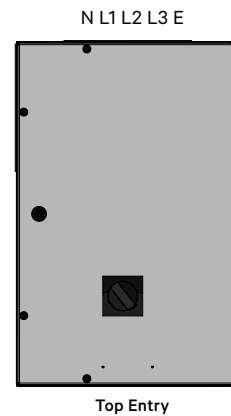
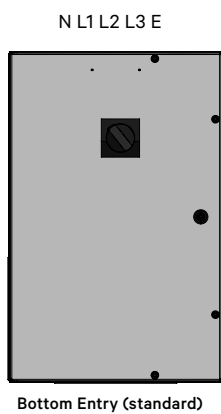
T1 Max Cable size side entry: 25mm²

Meter and Spreader Positions



Please confirm meter/spreader positions with the Project Engineer, if required

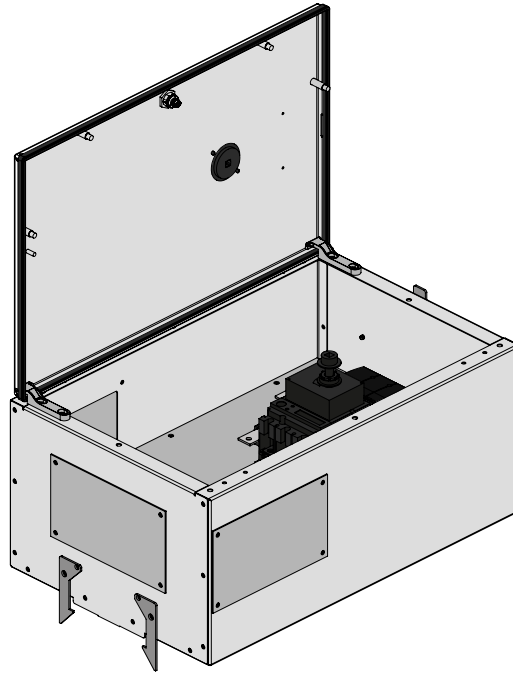
Phasing Options



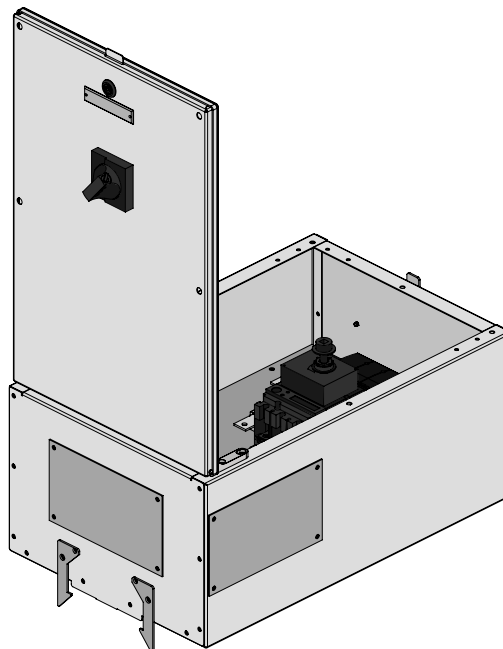
Bottom Entry is standard, if Top Entry is required please confirm with Project Engineer.

Hinge Options

Side Hinged



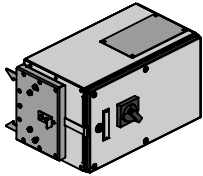
Bottom Hinged



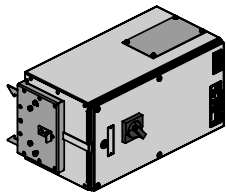
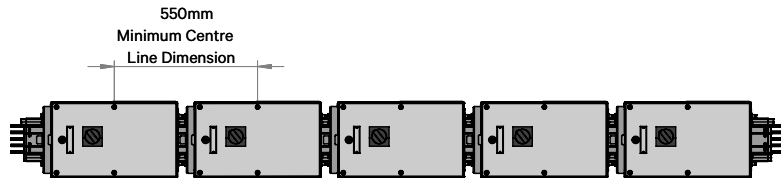
Side Hinge is standard. If Bottom Hinged is required, please confirm with the Project Engineer.

Tap-Off Units and Busbar Trunkings

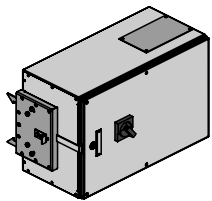
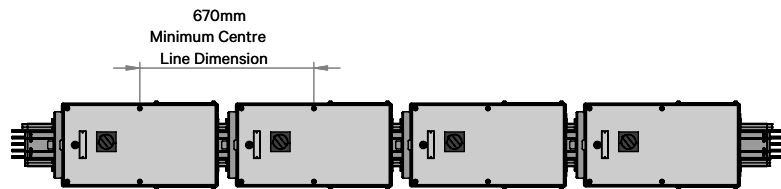
The example below represents how many tap-off units of the same rating can be fitted on to a 3m busbar trunking system at minimum centres.



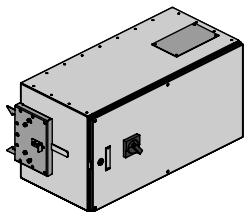
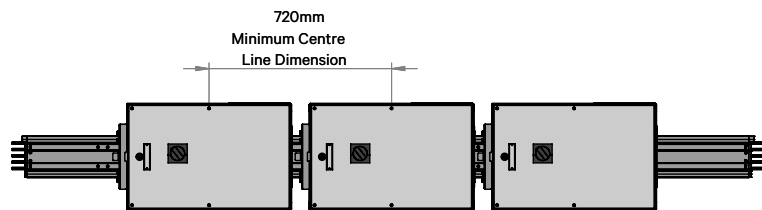
Vertiv-PowerBar-MPB3-TOB-125A



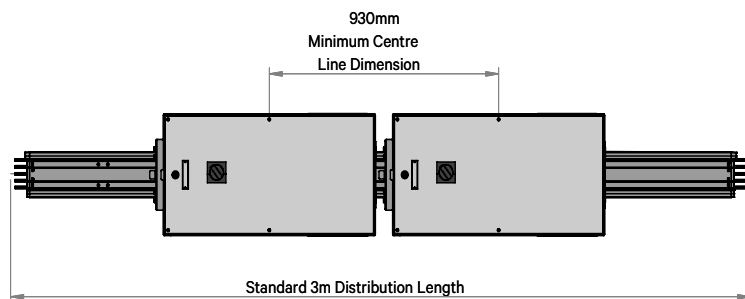
Vertiv-PowerBar-MPB3-TOB-160A



Vertiv-PowerBar-MPB3-TOB-250A

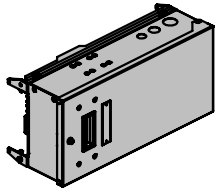


Vertiv-PowerBar-MPB3-TOB-400A

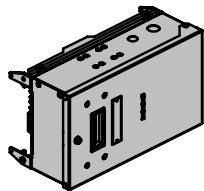
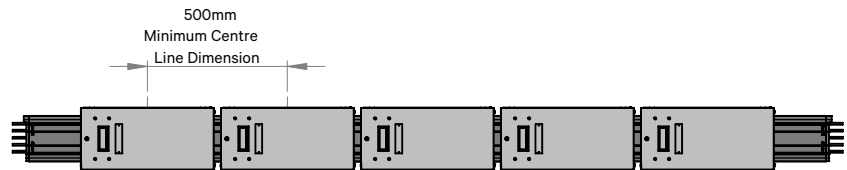


Tap-Off Units and Busbar Trunkings

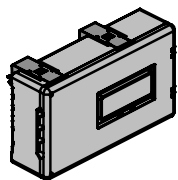
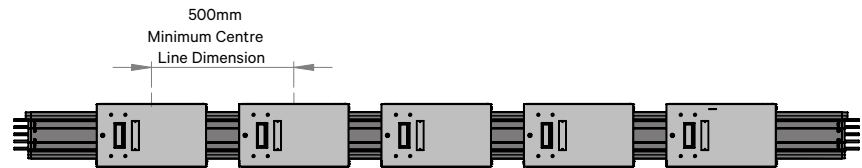
The example below represents how many tap-off units of the same rating can be fitted on to a 3m busbar trunking system at minimum centres.



Euro T1



Euro T2



Plastic

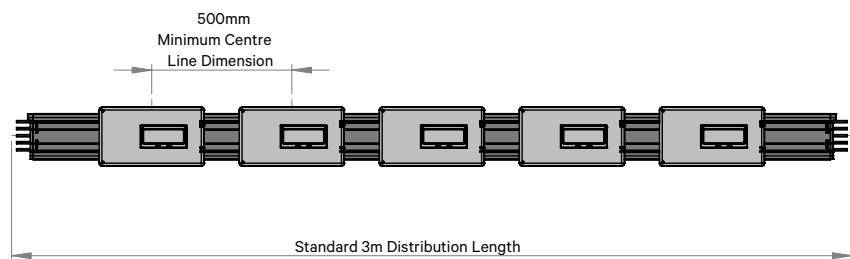


ABB MCCB Reference

Frame Size	ABB MCCB's	Rating (A)	Configuration	Breaking Capacity (kA)
Frame Size 1	XT1 (Thermomag)	Up to 125	3 or 4	18, 25, 36, 50, 70
	XT2 (Electronic)	Up to 125	3 or 4	18, 25, 36, 50, 70
Frame Size 2	XT1 (Thermomag)	160	3 or 4	18, 25, 36, 50, 70
	XT2 (Electronic)	160	3 or 4	36, 50, 70, 120, 150
Frame Size 3	XT3 (Thermomag)	Up to 250	3 or 4	36, 50
	XT4 (Electronic)	Up to 250	3 or 4	36, 50, 70, 120, 150
Frame Size 4	T4 (Electronic)	Up to 400	3 or 4	36, 50, 70, 120, 150
Frame Size 5	T5 (Electronic)	Up to 630	3 or 4	36, 50, 70, 120, 150

Schneider MCCB Reference

Frame Size	Schneider MCCB's	Rating (A)	Configuration (Poles)	Breaking Capacity (kA)
Frame Size 1	NSX100 (Thermomag)	Up to 125	2, 3 or 4	25, 36, 50, 70, 100, 150, 200*
	NSX100 (Electronic)	Up to 125	2, 3 or 4	25, 36, 50, 70, 100, 150, 200*
Frame Size 2	NSX160 (Thermomag)	160	2, 3 or 4	25, 36, 50, 70, 100, 150
	NSX160 (Electronic)	160	2, 3 or 4	25, 36, 50, 70, 100, 150
Frame Size 3	NSX250 (Thermomag)	Up to 250	2, 3 or 4	25, 36, 50, 70, 100, 150, 200*
	NSX250 (Electronic)	Up to 250	2, 3 or 4	25, 36, 50, 70, 100, 150, 200*
Frame Size 4	NSX400 (Electronic)	Up to 400	3 or 4	36, 50, 70, 100, 150, 200
Frame Size 5	NSX630 (Electronic)	630	3 or 4	36, 50, 70, 100, 150, 200

*1 and 2 pole only

Switchfuse Reference

Frame Size	Socomec Switchfuses	Rating (Amps)	Configuration (Poles)	Breaking Capacity (kA)
Frame Size 1	Fuserbloc BS88 32	32	2, 3 or 4	80
	Fuserbloc BS88 63	63	2, 3 or 4	80
	Fuserbloc BS88 100	100	2, 3 or 4	80
	Fuserbloc DIN 32	32	2, 3 or 4	80
	Fuserbloc DIN 63	63	2, 3 or 4	80
	Fuserbloc DIN 100	100	2, 3 or 4	80
Frame Size 2	Fuserbloc BS88 160	160	2, 3 or 4	80
	Fuserbloc DIN 160	160	2, 3 or 4	80
Frame Size 3	Fuserbloc BS88 200	200	2, 3 or 4	80
	Fuserbloc BS88 250	250	2, 3 or 4	80
	Fuserbloc DIN 200	200	2, 3 or 4	80
	Fuserbloc DIN 250	250	2, 3 or 4	80

ABB MCB Reference

Frame Size	ABB MCB's	Rating (A)	Configuration	Breaking Capacity (kA)
ET1	ABB S200	Up to 2x63	1, 2, 3 or 4	10, 15
	ABB S800	Up to 2x63	1, 2, 3 or 4	15, 25
ET2	ABB S200	Up to 63	1, 2, 3 or 4	10, 15
	ABB S800	Up to 63	1, 2, 3 or 4	15, 25
P1	ABB S200	Up to 63	1, 2, 3 or 4	10, 15
	ABB S800	Up to 63	1, 2, 3 or 4	15, 25

Schneider MCB Reference

Frame Size	Schneider MCB's	Rating (A)	Configuration	Breaking Capacity (kA)
ET1	iC60	Up to 2x63	1, 2, 3 or 4	10
	iC60 HL	Up to 2x63	1, 2, 3 or 4	15, 20
ET2	iC60	Up to 63	1, 2, 3 or 4	10
	iC60 HL	Up to 63	1, 2, 3 or 4	15, 20
P1	iC60	Up to 63	1, 2, 3 or 4	10
	iC60 HL	Up to 63	1, 2, 3 or 4	15, 20

Eaton MCB Reference

Frame Size	ABB MCB's	Rating (A)	Configuration	Breaking Capacity (kA)
ET1	PLSM	Up to 125	1, 2, 3 or 4	10
	PLHT	Up to 125	1, 2, 3 or 4	25
ET2	PLSM	Up to 63	1, 2, 3 or 4	10
	PLHT	Up to 63	1, 2, 3 or 4	25
P1	PLSM	Up to 100	1, 2, 3 or 4	10
	PLHT	Up to 100	1, 2, 3 or 4	25

CFH Reference

Frame Size	Cylindrical Fuse Holder	Rating (A)	Configuration	Breaking Capacity (kA)
ET1	CFH	Up to 100	1, 2, 3 or 4	100
ET2	CFH	Up to 63	1, 2, 3 or 4	100
P1	CFH	Up to 100	1, 2, 3 or 4	100

BS88 Reference

Frame Size	BS88 Fuse	Rating (A)	Configuration	Breaking Capacity (kA)
ET1	BS88	Up to 80	1, 2, 3 or 4	80
ET2	BS88	Up to 63	1, 2, 3 or 4	80
P1	BS88	Up to 80	1, 2, 3 or 4	80

NH Fuse Holder Reference

Frame Size	NH Fuse Holder	Rating (A)	Configuration	Breaking Capacity (kA)
ET1	Jean Muller	Up to 125	1, 2, 3 or 4	100
P1	NH Fuse Holder	Up to 100	1, 2, 3 or 4	100

BIM Library

Vertiv is committed to supporting our clients by providing direct access to our comprehensive BIM library.

Get free access to our BIM Library

<https://bim.vertiv.com/>

Architects, contractors, engineering consultants and others are able to directly place specific items into a 3D BIM environment to produce accurate and efficient plans, containment drawings and bills of quantities to form a fully integrated overall project.

Vertiv provides high quality digitized data, available in a range of formats. Our intelligent BIM libraries are maintained and updated to reflect any changes in the products.

Quick Reference Guide

Critical Dimensions

- The distance from the centre of a joint to the wall, ceiling or floor must be at least 190mm.
- All joints must be accessible for maintenance. Joints should not be located inside a wall, ceiling or floor.
- There must be a minimum distance of 50mm between the busbar and any wall, ceiling or other busbar.
- Allow adequate space for tap off units to be installed easily and safely.
- Busbar lengths are available from 600mm – 3000mm.
- Edgewise elbow sections and flatwise elbow sections are available with leg lengths from 400mm x 400mm to 1000mm x 1000mm.

Operating Conditions

- Ambient temperature from -5°C to +40°C.
- Relative humidity of 95% or below.
- This product designed for indoor use.

Critical Details

- Busbar drawings must include all relevant dimensions. Centre-line dimensions are expected. Please highlight any dimensions that are not centre-line.
- Walls and floors must be indicated and the relevant dimensions provided.
- The phasing and location of all switchboards must be provided.
- Full details are required for any transformer connections.
- Please indicate the phase orientation for vertically and horizontally installed busbar.

