



Liebert®

GXT MT+ CX 16A

1000VA-3000VA





We helped some of the largest names in the industry bring new capacity online faster and at a lower cost when search and social media increased demand for storage and computing.



We were the first to introduce an integrated enclosure system to distributed networks.



Our portfolio spans power, thermal and infrastructure management products, software and solutions.



Protecting your critical technologies takes more than just great software and equipment. It takes a level of experience that only comes from years of finding solutions when the industry needed them most. We were the first to protect mainframes with precision cooling systems.



And now as challenges and demands grow, we continue to find better ways to help you strengthen your most vital applications. Formerly the Network Power business of Vertiv, we've brought together the most trusted and experienced names in critical infrastructure.



Complemented by a network of nearly 250 service centers worldwide. It's a combination of experience and resources that allow us to better adapt to what's needed, anticipate what's next and continue to find solutions in ways other companies simply can't.



Liebert® GXT MT+ CX 16A

1000VA-3000VA



For robust UPS protection up to 3kVA, the Liebert® GXT MT+ CX 16A UPS Provides industry leading features in a compact design:

- On-line design means zero transfer time. When utility power fails, your critical load remains supported by a seamless flow of power.
- Highest level of protection available in this capacity range.
- Selectable Eco-Mode allows improved energy efficiency.
- Easy serviceability with replaceable.
- Intelligent ready networking.

Ideally suited for:

- Mission critical applications and systems
- Network Workstations
- Servers
- IDF/Network closets
- Large network peripherals
- VoIP
- Workstations

Intelligent, Reliable UPS Protection

Liebert® GXT MT+ CX 16A is a true on-line UPS that delivers continuous, high-quality AC power to connected equipment with no interruption when transferring to battery. It provides protection from blackouts, Brownouts, sags, surges or noise interference.

Liebert® GXT MT+ CX 16A is a full feature Transformer free UPS designed to offer compact, efficient and reliable solution to modern electronic gadgets. It features True Double Conversion On Line back up Power Solution for Small Data Centre, Data Networks, Voice Networks and Process automation equipments.

Liebert® GXT MT+ CX 16A provides customers with a reliable source of uninterruptible power even in harsh power environments, including very wide input voltage/frequency window, Better output voltage regulation, Frequency regulation, internal bypass, and input power factor correction and low THDi.



The Liebert® GXT MT+ CX 16A UPS package includes everything you need for a fast and easy installation:

- UPS
- Tower stands
- Hardware
- CD with software and manuals
- Convenient lifting straps



Liebert® GXT MT+ CX 16A

1000VA-3000VA



FLEXIBILITY:

Inbuilt 1100W charger

Inbuilt 1100W Charger and settable as per the battery capacity and compatible to Tubular battery also.

Advanced LCD Display Panel.

New Graphical Display which Display UPS Parameters, Fault Codes, Alarms Fault Type is clearly mentioned on the display for fast diagnostic.

Automatic Frequency Sensing

The UPS automatically adjusts to the input frequency, 50Hz or 60Hz, and can also be programmed to convert from one to the other.

Intelligent Communications

SNMP, Modbus, dry contact card, Inbuilt RS232 and USB.



Power Assurance Package

Provides Comprehensive On-site services, One-year protection plan with 100% parts coverage and 7x24 emergency service.

On-Site installation and startup

To provide pain-free multi-site rollout management and free you from hazardous material disposal in your existing UPS, when applicable.

On-site service support

To free up time-strapped IT resources.

Preventative Maintenance

To reduce the worry of downtime and ensure rapid recovery.

THE PROVEN RELIABILITY OF TRUE ON-LINE OPERATION WITH THE FEATURES YOU NEED MOST

Liebert® GXT MT+ CX 16A UPS provides the capabilities often found only in larger systems. Get up to 3 kVA of capacity and battery backup. External battery cabinets may be added for extended run time.

Liebert® GXT MT+ CX 16A UPS is a true on-line power source, which means power is always being conditioned and supplied to the connected device(s), whatever the quality of power coming in, a pure sine wave output results to ensure equipment is protected.

Liebert GXT MT+ CX 16A UPS includes:

- Front end IGBT based rectifier
- Power factor correction
- Frequency conversion
- Eco mode
- Inbuilt Over Voltage Cut-off Device (OVCD)
- Internal automatic bypass to protect against adverse conditions
- Support for up to 160 AH external battery cabinets

Full protection from damaging power problems.



Outages



Sags



Surges



Spikes



Noise



Transient



Frequency Deviation



Under-Voltage

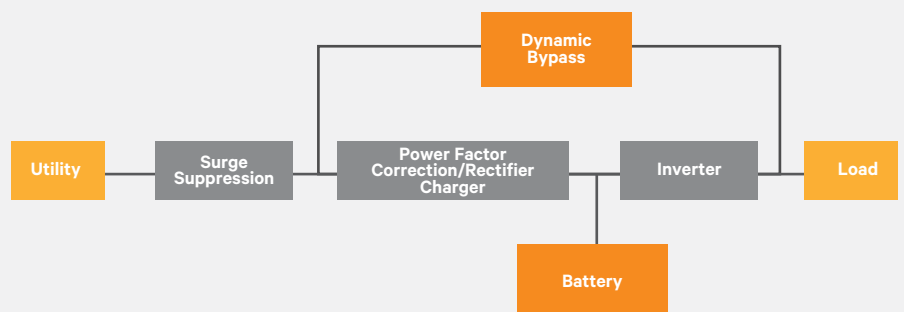


Over-Voltage



Harmonics

On-line, Double Conversion UPS Protection for Critical Applications



FEATURES AND PERFORMANCES

- IGBT Based Rectifier
- True Online Double Conversion with DSP Control Technology for High Performance and Reliability.
- New Graphical LCD Display Provides UPS Data, Alarms and Helps in faults diagnostic and trouble shooting.
- Double Conversion Efficiency upto 92%.
- Active Input Power Factor Correction 0.99.
- 0.8 Output Power Factor.
- Wide Input Voltage window (110 – 280Vac) for Indian Environmental Condition and for Optimized Battery Performance.
- Configurable Output Voltage (200/208/220/230/240Vac.)
- Generator Compatible with Wide Input
- Frequency Range (40 Hz-70 Hz).
- 8 Stage Extendable Charging Design for optimized Battery Performance.
- Adjustable Battery Charging Current 2/4/6/8/10/12/14/16 Amps according to Battery Capacity Rating.
- 50/60 Hz Automatic Frequency Converter Mode.
- Intelligent Monitoring with Standard RS232/USB Port Plus Slot Available for RS485/ Dry Contact/SNMP Card.
- Inbuilt OVCD (Over Voltage Cut-off device)



HIGH AVAILABILITY:

Advance Early Warning of UPS System Status

Multiple audible and visual alarms immediately alerts you to critical issues.

Overload Capability

Designed to handle output overload conditions.

Power-Factor Correction

Prevents noise, harmonics and distortion from being passed on to connected loads or from being fed back to the utility.

Internal Automatic Bypass Capability

Assures continuity of power to critical loads at all times.

Intelligent Battery Management

Includes efficient Eight-stage charging technique an comprehensive discharging protection that extends battery life.

Input Circuit Breaker

Provides increased protection to ease recovery from overloads.

LOW TOTAL COST OF OWNERSHIP:

High Output Power Factor

Liebert GXT MT+ CX 16A UPS rated output power factor up to 0.8 better matches switch-mode power supplies used in today's IT equipment, providing more efficient utilization of the UPS.

Selectable ECO-Mode

Connected equipment can be powered through the bypass while the inverter remains idle, reducing electricity consumption.

Wide Input Voltage Window

Prolongs battery life by allowing the UPS to maximize the use of utility power before transferring to battery when input voltage exceeds specified limits.

Intelligent Fan Operation

Automatically changes rotation speed depending on system requirements to decrease power consumption and noise.

Warranty Protection

The industry's best warranty – No-hassle two-year warranty with advanced UPS replacement in the event of problems. Shipping is free for both original UPS return and the replacement unit. Optional one-year and three-year extensions also available.

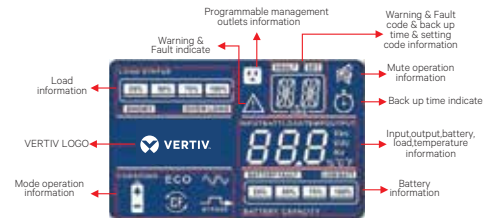
INTELLIGENT MANAGEMENT FUNCTIONS

- Remote Monitoring is available through USB/RS232 and optional via dry contacts and SNMP. The monitoring option software support TCP/IP with event log and analysis function.
- Self-diagnosis and protection enable the auto shutdown of the client terminal or server auto shutdown of the client terminal or server under abnormal mains supply or when battery is over discharged.
- SNMP Manager Card with advanced viewpower Software (Optional): allows remote monitoring thro' Rj45 & manages multiple UPS from anywhere thro' internet. Data logging Real time dynamic graphs of UPS data, warning notification via audible alarm, broadcast, mobile message, e-mail & SNMP traps. Also supports optional environmental monitoring detector for temperature, humidity and smoke. Password security protection and remote access management.

COMMUNICATION AND OPTIONS

Advanced LCD Display.

New Graphical Display which Display UPS Parameters, Fault Codes, Alarms Fault Type is clearly mentioned on the display for fast diagnostic. LCD display Provides Maximum operational Convenience while Managing the UPS.



LCD Display of Liebert GXT=MT+

Flexible Configuration

Extended Run Time ready facilitated through a simple process of building up additional battery resources.

Multiple AC output interfaces via IEC standard sockets with programmable output.

SNMP Card

Network Monitoring SNMP Card, Used for Remote TCP/IP Web Monitoring, Supporting Remote Shutdown.

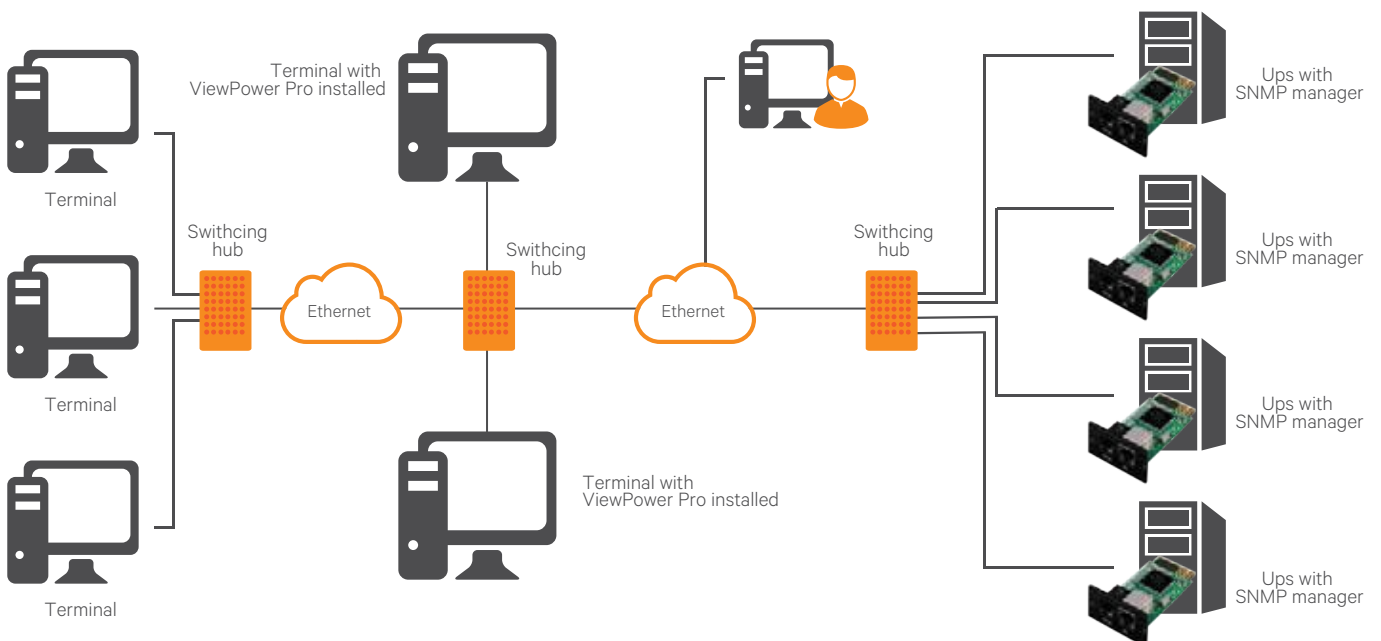


Dry Contact Card

Dry Contact for UPS, Providing Four Relay signal Output.

ModBus Card

Select it when UPS Needs to communicate with Building Management System.



Technical Specifications

Model		GXT MT+ CX 16A	GXT MT+ CX 16A	GXT MT+ CX 16A
PHASE		Single phase with ground		
CAPACITY*		1000VA/ 800W	2000 VA / 1600 W	3000 VA / 2400 W
INPUT Parameters				
Nominal Voltage		200/208/220/230/240VAC		
Input Voltage Range		110-280 VAC (Based on load at 50%)		
Frequency Range		40Hz ~ 70 Hz		
Power Factor		≥0.99 @ Nominal Voltage (100% load)		
OUTPUT Parameters				
Output Voltage		200/208/220/230/240VAC		
Voltage Regulation		± 1%		
Frequency Range (Synchronized Range)		47— 53 Hz or 57 — 63 Hz		
Frequency Range (Batt. Mode)		50 Hz or 60Hz ± 0.1 Hz		
Current Crest Ratio		3:01		
Harmonic Distortion		≤3 % THD (Linear Load)		
Transfer Time	AC to DC	Zero		
	Inverter to Bypass	4 ms (Typical)		
	Waveform (Batt. Mode)	Pure Sinewave		
EFFICIENCY				
To AC Mode		90%	92%	92%
To Battery Mode		85%	87%	88%
BATTERY Parameters				
Long-run Model*	Battery Type	Depending on the capacity of external batteries		
	Numbers	3	6	6
	Charging Current (max.)	2.0A/4.0A/6.0 A/8.0/10.0/12.0/14.0/16.0A by default		
	Charging Voltage	41.0VDC ± 1%	82.1 VDC ±1%	82.1 VDC ±1%
INDICATORS				
LCD		Load level, Battery level, AC mode, Battery mode, Bypass mode, and Fault indicators		
ALARM				
Battery Mode		Sounding every 4 seconds		
Low Battery		Sounding every second		
Overload		Sounding twice every second		
Fault		Continuously sounding		
PHYSICAL				
Long-run Model*	Dimension, DxWxH (mm)	282 x 145 x 333	397 x 145 x 333	
	Net Weight (kgs)	5.6	9	9.8
ENVIRONMENT				
Humidity		0-95 % RH @ 0- 50°C (non-condensing)		
Noise Level		Less than 45dBA @ 1 Meter		
MANAGEMENT				
Smart RS-232/USB		Supports Windows 2000/2003/XP/Vista/2008/7/8, Linux, Unix, and MAC		
Optional SNMP		Power management from SNMP manager and web browser		

* Derate to 80% of capacity in Frequency converter mode, the output voltage is adjusted to 100/200/208VAC and the ambient temperature between 45° to 50°.

** Product specifications are subjected to change without further notice